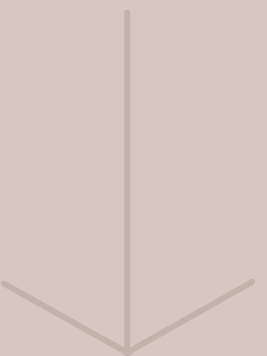




**Product**

**ACTIU**





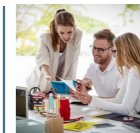
# Index

## └ Fouani stock furniture



**Actiu**  
P.02

**Cool working**  
P.09



**Product**  
P.11

- Tables P.12
- Reception P.52
- Chairs P.55
- Bench seating P.74
- Soft seating P.81
- Agile P.91
- Filing systems P.98



## A place that facilitates the flow of people and ideas.

The Technology Park is inspired by one principle: achieve the best work environment. Open bright spaces and comfort are objectives that, as is logical in a company with an industrial heart, have reached all workspaces including the manufacturing centres and the large distribution centre. ■





### Well-being

Cool Working reflects our commitment to our mission: we are able to show that well-being increases productivity through our own methodology developed in collaboration with the Biomechanics Institute of Valencia. Furthermore, we have now gone one step further. We are a WELL-certified company, always looking after the well-being of our employees.



### Design

We have won a National Design Award. Because of how we apply it to all facets of our activity, from product design, project, engineering and mould development, graphic identity as well as workspaces.



### Innovation

To still be going after 50 years you need to be constantly on the move. We live in a changing world and the best way to adapt is to evolve with it, through continuous innovation in products and services alike.



### Manufacturing

Even when we were known as Creaciones Berbegal, we were committed to shaping our own ideas. Keeping our manufacturing operations in our region has been, and is, one of the pillars on which we have built our brand.



### Sustainability

A commitment to sustainability that is embodied in the most direct contact with our brand: in our Technology Park, the first LEED® Platinum-certified industrial project in the industry in Europe by the USGBC. Energy efficiency, the use of respectful materials and the maximum optimisation of production processes are part of our business philosophy, and therefore, the day-to-day running of the company.



### 1968-1970

Get to know us

### 1982-1995

Expansion

### 2000-2008

Team

### 2012-2017

Brand

### 2018-2019

50 Years

### 2019-2020

People

Vicente Berbegal sets up a small workshop where he makes all types of furniture to order.

He starts working in the computer and home office industries. Achieves great success with home office furniture with the arrival of the PC.

Equipment for large projects. International brand recognition. Leadership position.

Actiu is awarded the National Design Award. This is the highest distinction granted in Spain, in recognition of its career in the field of design and innovation.

For the past 50 years, Actiu has shown that culture, tradition, local manufacturing, sustainability, design and people are not at odds with innovation, technology and leadership.

WELL™ Certification, that looks at the physical and psychological well-being of the people who occupy the space.

The company changes its name from Creaciones Berbegal. Specialist in home furniture.

The ACTIU brand is created. Move into office equipment.

Year of consolidation. Inauguration of the Actiu Technology Park. Global Flagship Projects.

Vicent Berbegal is named European Entrepreneur of the Year at the European Business Awards and the Technology Park renews its LEED® Certification, this time obtaining the Platinum category.

The new Cool Working philosophy is consolidated and presented at Orgatec, the leading trade fair for work and contract space design.

It aims to promote healthy habits and maximise the well-being of our workers.



Actiu Technology Park Awards:

## Actiu, the first industrial company in the world to be awarded the WELL™ v2 and LEED Platinum Certifications

Actiu has been awarded the WELL™ v2 Platinum Certification which certifies its headquarters as the fifth healthiest building in the world, the second healthiest in Europe and the healthiest in Spain with one of the highest ratings on a worldwide level.

Actiu's headquarters has become the fifth building in the world to receive the WELL™ v2 Platinum Certification and the first industrial building in the world to be awarded both the LEED® and WELL™ Platinum Certifications, that certify Actiu's headquarters as a healthy and sustainable space, committed to the well-being of the people who work there and taking care of the outside environment.



This recognition of the American Green Building shows how Actiu's sustainable policy supports the efficient use of natural resources that is paramount within our construction and design.

With an unwavering commitment towards the preservation of the environment, ACTIU is proudly the first European Industrial Company to receive this excellent certificate. The success provided by this award has become a main motivating catalyst for our formidable commitment towards sustainability, innovation and the territory- a tripartite of values that deeply features our company.



Actiu, the first industrial company in the world to obtain the WELL v2 and LEED Platinum Certification

## Manufacturing

From when we started as Creaciones Berbegal until nowadays, we have stuck to the commitment to give shape to our own ideas. Manufacturing and committing to our region is one of the pillars on which we built the brand.

### 0% Formaldehyde\* Committed to well-being

Actiu has implemented a pioneering measure in Europe, incorporating MDF 0% formaldehyde as standard throughout its product range and not just in particular batches.

The absence of this harmful compound, which increases the risk of certain diseases, complies with the American Toxic Substances Control Act which promotes the health of occupants of work environments, as well as helping to attain WELL certification.

In this way, Actiu products, manufactured in a sustainable environment that promotes well-being such as the Actiu Technology Park, provide a new added value to equip more people-friendly workplaces.



California 93120  
Compliant Formaldehyde Phase 2

\*All Actiu products manufactured with raw particleboard and thermofused laminate surfaces are certified according to the emission standards established by the US EPA TSCA Title VI and Phase 2 of the CARB (California Air Resources Board).



Nature and Territory / Sustainability / Light and Energy / Water / Manufacturing and Production / Mechanized





# Around the World

**96 Countries**  
**120 Showrooms**  
**1500 Projects**

ALGERIA - ANGOLA - ARGENTINA - AUSTRALIA - AUSTRIA - AZERBAIJAN - BAHRAIN - BELGIUM - BRAZIL - BULGARIA - CANADA - CAPE VERDE - CHILE - CHINA - COLOMBIA - COSTA RICA - CYPRUS - CZECH REPUBLIC - DENMARK - DOMINICAN REPUBLIC - ECUADOR - ECUATORIAL GUINEA - GUINEA - EGYPT - ESTONIA - FINLAND - FRANCE - FRENCH POLYNESIA - GERMANY - GHANA - GREECE - GUADALUPE - GUATEMALA - GUINEA - HAITI - HOLLAND - HONG KONG - HUNGARY - ICELAND - INDIA - INDONESIA - IRAN - IRAQ - IRELAND - ITALY - IVORY COAST - JAPAN - JORDAN - KAZAKHSTAN - KOREA - KUWAIT - LEBANON - LIBYA - LITHUANIA - LUXEMBOURG - MALI - MALTA - MARTINIQUE - MAURITANIA - MEXICO - MOLDOVA - MOROCCO - MOZAMBIQUE - NEW CALEDONIA - NICARAGUA - NIGERIA - NORWAY - NZ - OMAN - PANAMA - PERU - PHILIPPINES - POLAND - PORTUGAL - PUERTO RICO - QATAR - REUNION ISLAND - ROMANIA - RUSSIA - SAUDI ARABIA - SHANGHAI - SENEGAL - SINGAPORE - SLOVAKIA - SLOVENIA - SOUTH AFRICA - SPAIN - SWEDEN - SWITZERLAND - THAILAND - TUNISIA - TURKEY - UAE - UKRAINE - UNITED KINGDOM - URUGUAY - USA - VENEZUELA

# Spaces

Cool Working

## Flexible spaces

Focusing on users wellbeing and productivity.



Setting the **number of flexible** workspaces, private areas group working areas, and relaxation spaces.



Use technology to **gather data** on the use of the space and management software to take decisions.



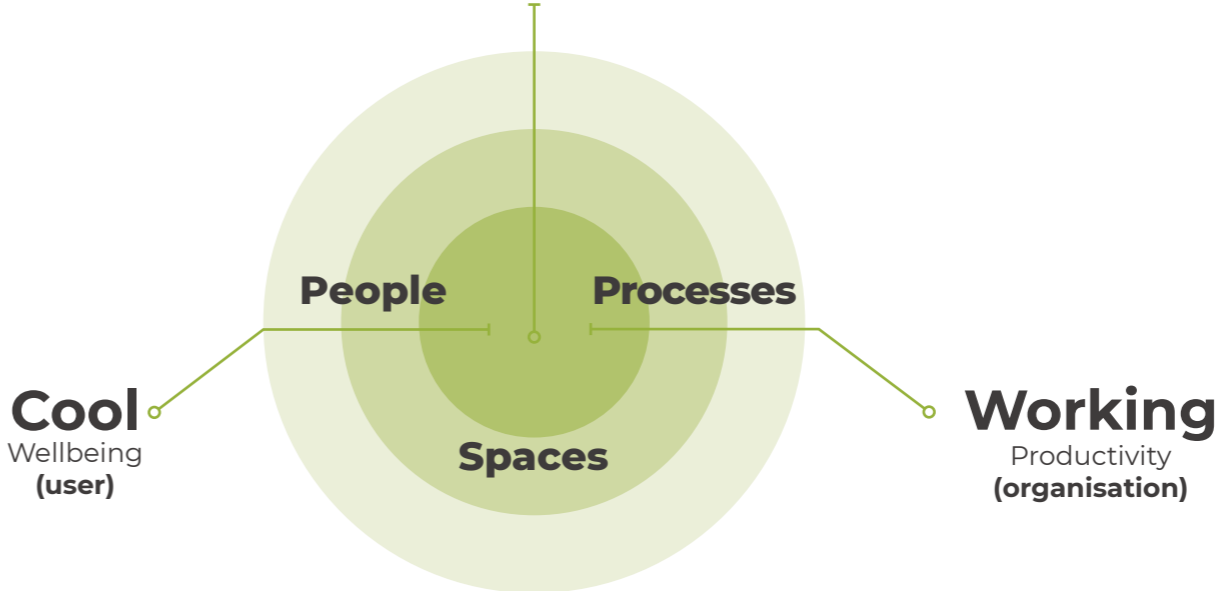
Having a space **management system** to allow employees to find free spaces and co-workers.



Deploying **technology** for mobility.



**Storage spaces:** Employee lockers, deciding which records to delete or store electronically.



# Solutions

**Cool Working by Actiu** is our own project methodology that has been developed together with the Biomechanics Institute of Valencia to create comfortable and efficient environments. Workspaces supported by fifty years' experience, designing and equipping offices. This way, the different organizations can align their transformation challenges with the own current needs.



reddot award 2017  
winner  
Communication Design Award 2017



FOCUS

Quiet areas that allow you to focus all your attention one task. Small "shelters" for concentration that we can use freely and autonomously.



COLLABORATION

Pleasant, spacious, bright and well-equipped spaces that favour communication and teamwork.



SOCIALIZATION

Spaces that promote social connection through meeting areas, canteens, etc. where we can give free rein to creativity and reduce built up tension.



LEARNING

Flexible and modular areas, capable of being adapted to the needs at a given time and with maximum connectivity.



CONFIDENTIALITY

Private spaces that provide solutions such as private meeting rooms, phone boxes for calls or furniture to file away confidential documentation.

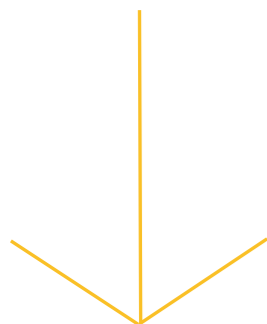


# Product

**We are a brand that makes those who use our products feel good**

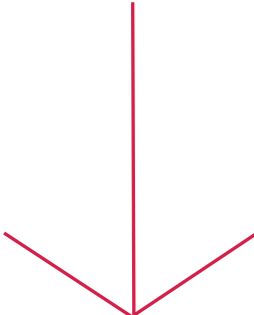
We manufacture products to improve well-being.  
We design products and spaces that promote well-being.  
To do this we innovate. And of course, we are sustainable in order to look after our environment.

Tables  
Reception  
Chairs  
Bench seating  
Soft seating  
Agile  
Filing systems





**Tables**







■ **Description**

OFIMAT.

Rectangular desk 140x80, MFC top, modesty panel and sides with levellers and grommet access.

■ **Finishes**

Finishes and colours may vary for the final product.

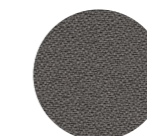
**Desk-mounted screen**

**FABRIC**

"T" FABRIC



GROUP 1



T84

**MFC**



Silver

**Desk**

MFC



11

Lime oak



10

Light oak



07

Chestnut



14

Dark oak



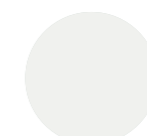
03

Black antifingerprint

**Cable access**

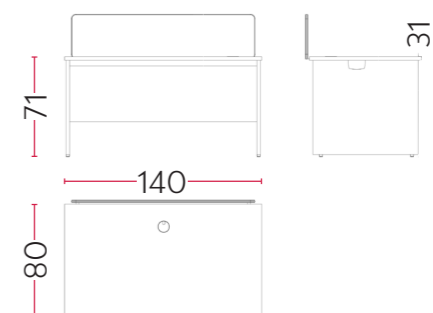


Cable access U



White

■ **Measures**





## ■ Description

OFIMAT.

Rectangular desk 180x80 with return, MFC top, modesty panel and sides with levellers and grommet access

## ■ Finishes

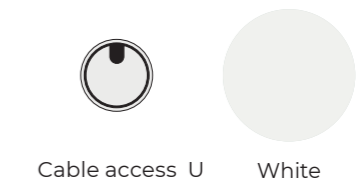
Finishes and colours may vary for the final product.

### Desk

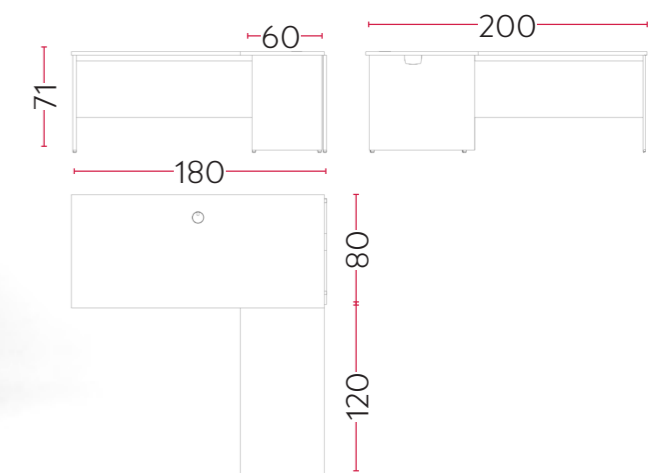
MFC



### Cable access



## ■ Measures







## 2. VITAL PRO

VR513-- + FVR14--

Configuration 1: 07 + White

Configuration 2: 11 + Black

### ■ Description

VITAL PRO

Rectangular desk 140x80, aluminum frame, MFC top, T push up cable access.

### ■ Finishes

Finishes and colours may vary for the final product.

#### Top desk / Modesty panel

MFC



Chestnut



Lime oak

#### Structure

METAL



White

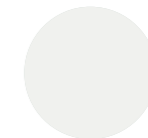


Black

#### Cable access



T access

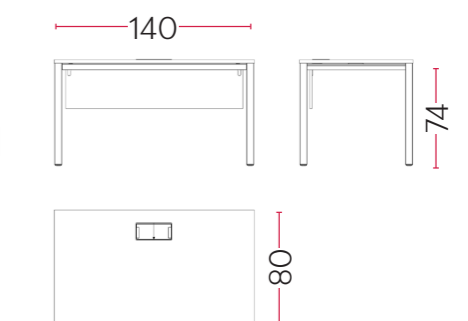


White



Black

### ■ Measures



## 2. VITAL PRO

VR514-- + FVR15-- + VR55-- + T11-- + 39525--

Configuration 1: 07 + Black

Configuration 2: 10 + White



### ■ Description

VITAL PRO

Rectangular desk 160x80 with return, modesty panel & cable management, levellers, aluminum frame, MFC top, T push up cable access

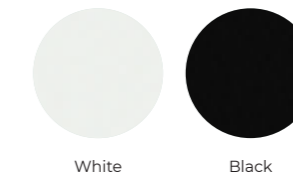
### ■ Finishes

Finishes and colours may vary for the final product.

#### Top desk / Modesty panel MFC



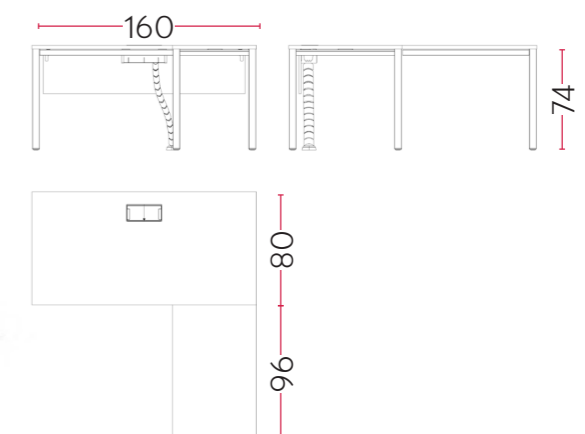
#### Structure METAL



#### Cable access



### ■ Measures



# 2. VITAL PRO

VR56--

Configuration 1: 07 + Black

Configuration 2: 11 + White



## ■ Description

VITAL PRO

Twin desk 160x160, levellers, aluminum frame, MFC top, T push up cable access

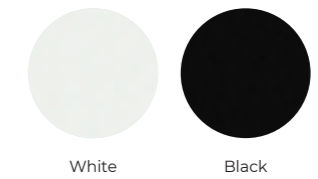
## ■ Finishes

Finishes and colours may vary for the final product.

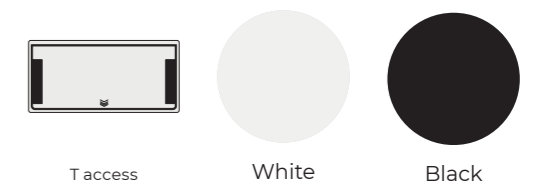
### Top desk / Modesty panel MFC



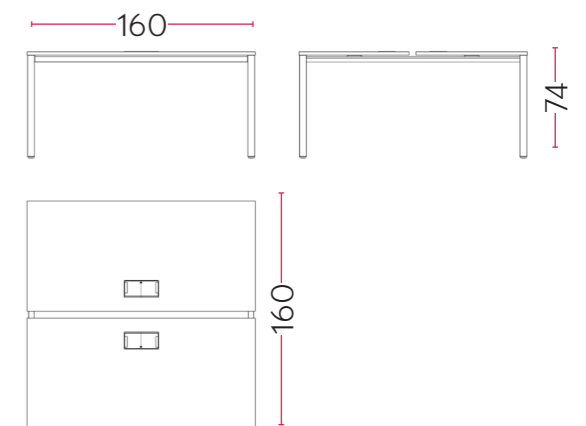
### Structure METAL



### Cable access



## ■ Measures



## 2. VITAL PRO

VR568-- + VR564-- + 68-- + ZV25-- + ZH75--

Configuration 1: 07 + Black

Configuration 2: 11 + White



### Description

VITAL PRO

Bench system 160x80 each user, with progressive desks, levellers, aluminum frame, MFC top, screens and cable management

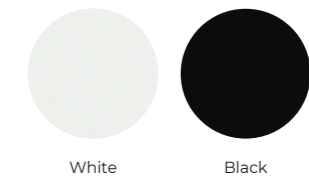
### Finishes

Finishes and colours may vary for the final product.

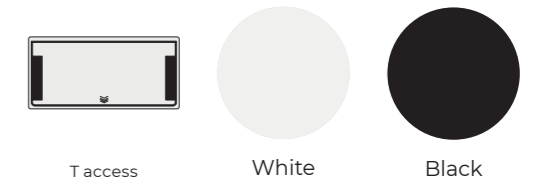
#### Top desk / Modesty panel MFC



#### Structure METAL

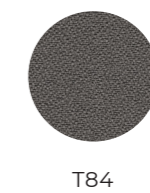


#### Cable access

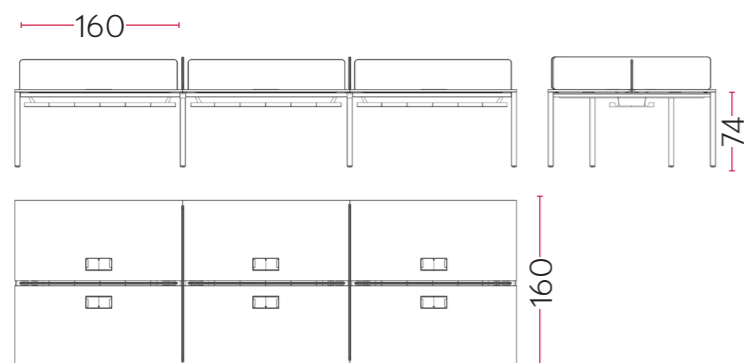


#### Screen

Fabric "T"



### Measures







### ■ Description

PRISMA

Executive desk 210x160, supported on credenza, MFC top, T push up cable access and modesty panel

### ■ Finishes

Finishes and colours may vary for the final product.

#### Desk / Modesty panel

MFC



Dark oak

#### Cable access

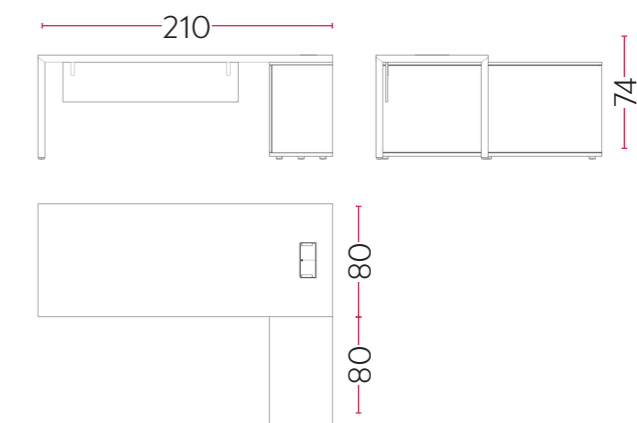


T access



BLACK

### ■ Measures





## ■ Description

PRISMA

Meeting table 240x120, levellers, recessed middle legs, MFC top, Q cable access, cable management

## ■ Finishes

Finishes and colours may vary for the final product.

Desk / Modesty panel  
MFC



Dark oak

Cable access

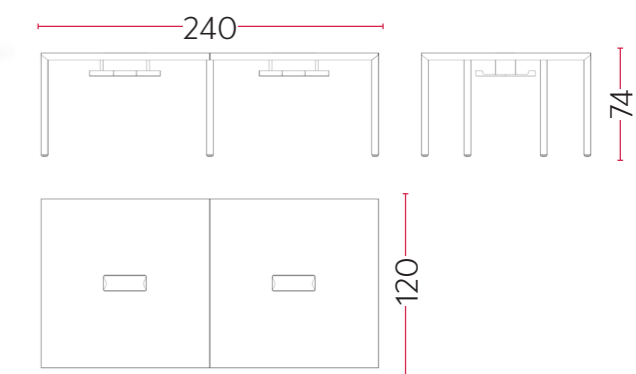


T access



BLACK

## ■ Measures







# 4. TWIST

TW14-- + FTW34-- + 597--

Configuration 1: 11 + White

Configuration 2: 00 + Black

Configuration 3: 03 + Black



## ■ Description

TWIST

Rectangular desk 160x80, levellers, aluminum frame, MFC top, T push up cable access, modesty panel and cable management

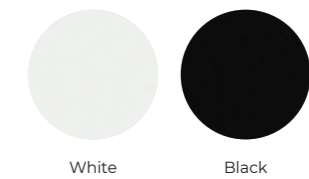
## ■ Finishes

Finishes and colours may vary for the final product.

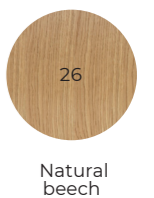
### Desk / Modesty panel MFC



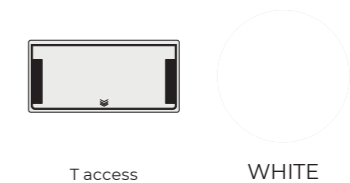
### Structure METAL



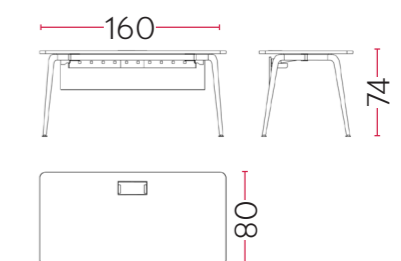
### WOOD



### Cable access



## ■ Measures



# 4. TWIST

TW29-- + ZWN30-- + 614--

Configuration 1: 11 + White + T84

Configuration 2: 11 + Black + T64

Configuration 3: 07 + Black + T82



## Description

TWIST

Twist gen 100 triple desk 120°, levellers, aluminum frame, MFC top, grommet, screen and cable management

## Finishes

Finishes and colours may vary for the final product.

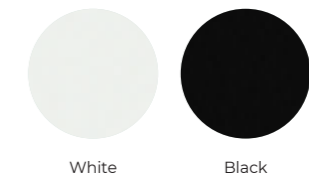
### Top desk

MFC

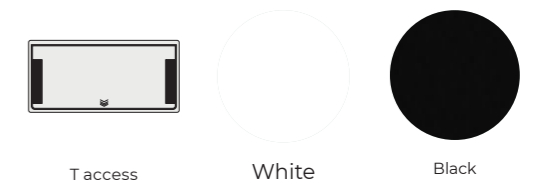


### Structure

METAL

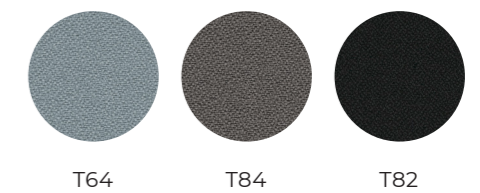


### Cable access

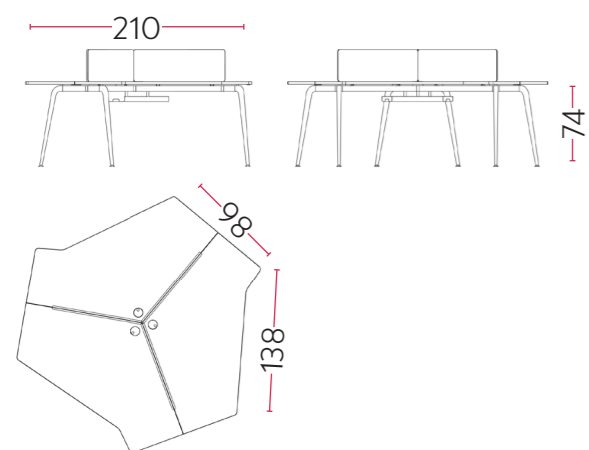


### Screen

Fabric "T"



## Measures



# 4. TWIST

TW49-- + FTW34-- + 597--



## ■ Description

TWIST

Videoconference table 180x160, aluminum legs, MFC top, T push up cable access

## ■ Finishes

Finishes and colours may vary for the final product.

### Top desk

MFC



Light oak

### Structure

METAL



Black

### Cable access

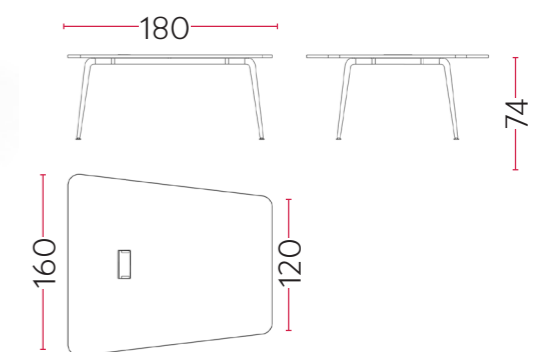


T access



WHITE

## ■ Measures



# 4. TWIST

TW16--



## ■ Description

TWIST

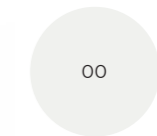
Operative/ Directional desk 200x100, aluminum legs, MFC top

## ■ Finishes

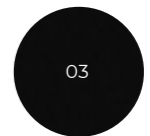
Finishes and colours may vary for the final product.

### Top desk

MFC



White



03

Black  
antifingerprint

### Structure

METAL



Black

### Cable access



T access

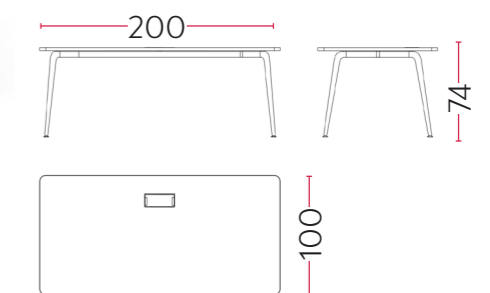


WHITE



BLACK

## ■ Measures





# 5. ARKITEK

WL17-- + FW27--

Configuration 1: 07 + Polished

Configuration 2: 03 + Black

Configuration 3: 59 + Polished



## ■ Description

ARKITEK

Arkitek executive desk with block support 220x100, aluminum frame and block legs, MFC top and block and modesty panel

## ■ Finishes

Finishes and colours may vary for the final product.

### Desk / Modesty panel

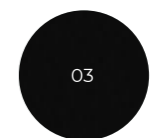
MFC

GLASS



07

Chestnut



03

Black  
antifingerprint



59

Black

### Structure

METAL

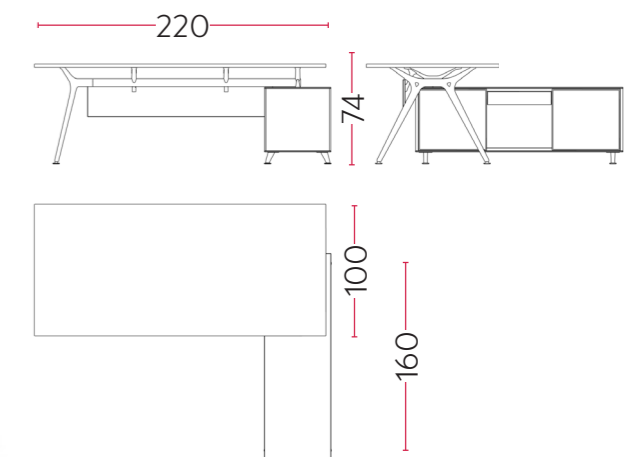


Polished



Black

## ■ Measures







# 6. LONGO

LNM76-- + LNP36-- + LNA11--



Configuration 1: 14 + Black



## Description

LONGO

Desk supported on credenza 200x100, aluminum frame/legs, MFC top with Q cable access, and MFC credenza with glass doors

## Finishes

Finishes and colours may vary for the final product.

### Desk / Modesty panel

MFC

GLASS



11

Lime oak



07

Chestnut



52

White



14

Dark oak



03

Black antifingerprint

### Credenza doors

GLASS



59

Black

### Structure

METAL



Polished



Black

### Cable access



Q access  
T access

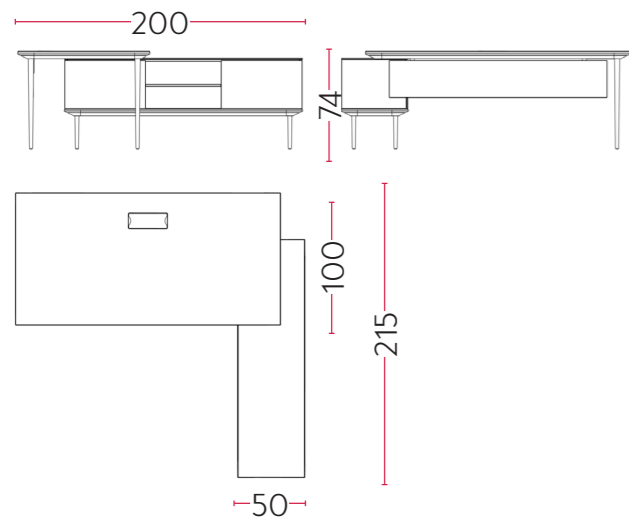


Black

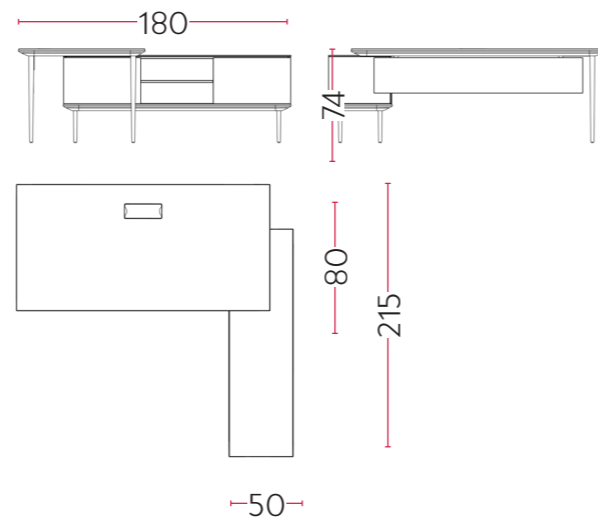
\*Not available with glass top

## Measures

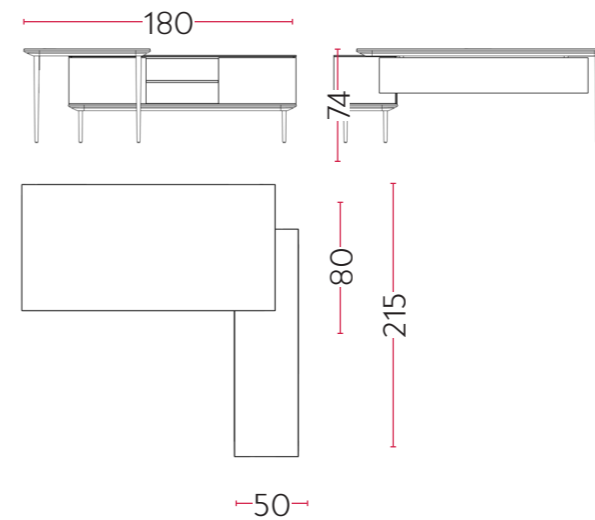
Configuration 2: 07 + Polished



Configuration 2: 11 + Black



Configuration 2: 52 + Black





Configuration 1: 07 + Black

Configuration 2: 11 + White



### ■ Description

TALENT

Series 500, height adjustable and flip top table on castors, 138x69, 74-104cm height

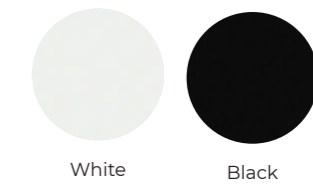
### ■ Finishes

Finishes and colours may vary for the final product.

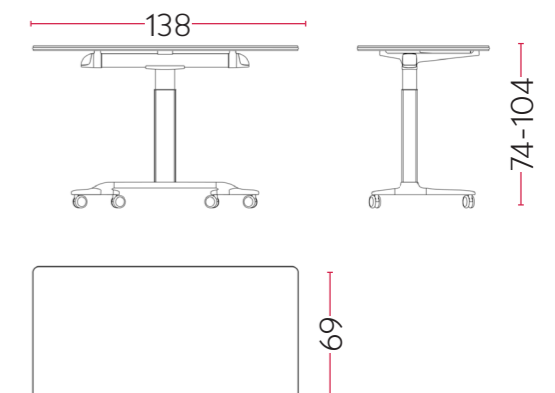
#### Top desk MFC



#### Structure METAL



### ■ Measures



Configuration 1: 07 + Black  
Configuration 2: 11 + White



## ■ Description

TALENT

Series 300, 138x69, 74 height

## ■ Finishes

Finishes and colours may vary for the final product.

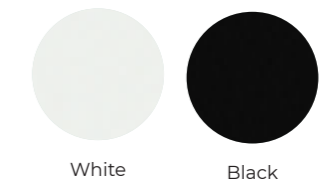
### Top desk

MFC

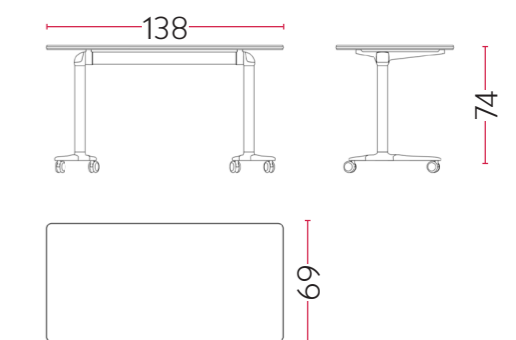


### Structure

METAL



## ■ Measures





# 8. TABULA

PC30--

Configuration 1: 03 + Black

Configuration 2: 00 + White



## Description

TABULA

Tar-10 110cm height table, round base and 60cm diameter top, aluminium frame, MFC top

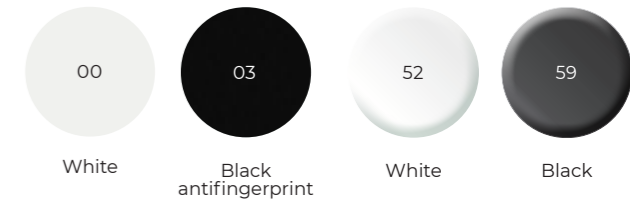
## Finishes

Finishes and colours may vary for the final product.

### Top desk

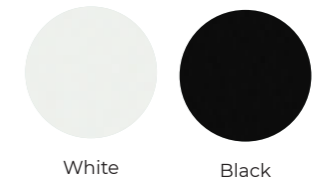
MFC

GLASS

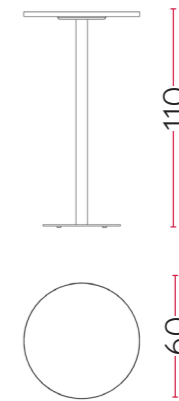


### Structure

METAL

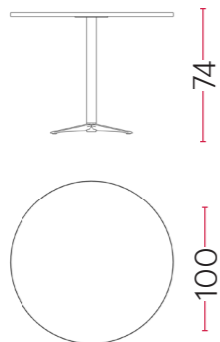


## Measures



### TABULA 20

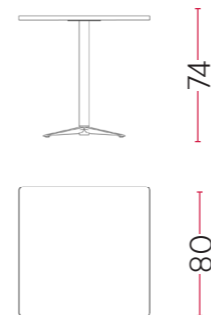
PC28--



Configuration 1: 03 + Black  
Configuration 2: 00 + White

### TABULA 20

PC29--



Configuration 1: 03 + Black  
Configuration 2: 00 + White  
Configuration 1: 59 + Black  
Configuration 2: 52 + White

# 8. TABULA

PC28--

Configuration 1: 03 + Black

Configuration 2: 00 + White



## ■ Description

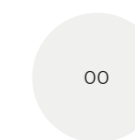
TABULA

Tar-20, 4 spoke base with levellers, aluminium frame, MFC top

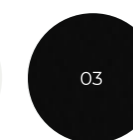
## ■ Finishes

Finishes and colours may vary for the final product.

### Top desk MFC



White



Black  
antifingerprint

### GLASS



White



Black

### Structure METAL

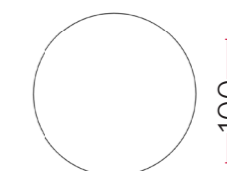


White



Black

## ■ Measures



### TABULA 20 PC29--



74



80

- Configuration 1: 03 + Black
- Configuration 2: 00 + White
- Configuration 1: 59 + Black
- Configuration 2: 52 + White

# Outside Tabula + Wing chairs

by Actiu





# 9. TABULA + WING CHAIRS

PC27--



## ■ Description

TABULA

Tabula Tar-20 cross base, and white compact round laminated top

## ■ Finishes

Finishes and colours may vary for the final product.

### Top desk

COMPACT LAMINATE



30

White

### Structure

METAL

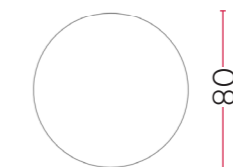


Silver

## ■ Measures



74



80

# 9. TABULA + WING CHAIRS

WG10--



## ■ Description

WING

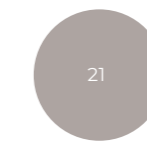
Wing polypropylene chairs

## ■ Finishes

Finishes and colours may vary for the final product.

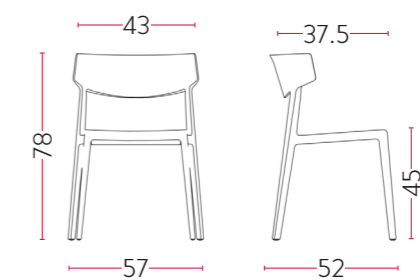
## Structure

THERMOPLASTIC



Grey

## ■ Measures



# Meeting table

by Actiu





## ■ Description

POWER

Meeting table 360x154 with integrated cable management. Two legs supports, aluminium legs/ frame and MFC top with cable accesses

## ■ Finishes

Finishes and colours may vary for the final product.

### Top desk

MFC



11  
Lime oak

07  
Chestnut

### Structure

METAL



Black

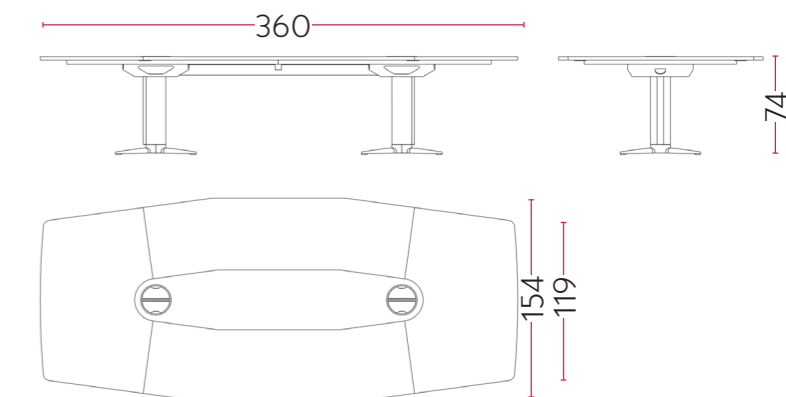
### Cable access



D access

BLACK

## ■ Measures



■ **Description**

ARKITEK

Meeting table 240x160, moulded aluminium levlers and legs and extruded beams, MFC top with cable access and cable management.

■ **Finishes**

*Finishes and colours may vary for the final product.*

**Top desk**  
MFC

GLASS



Chestnut



Black

**Structure**  
METAL



Black



Silver Polished

**Cable access**



Q access

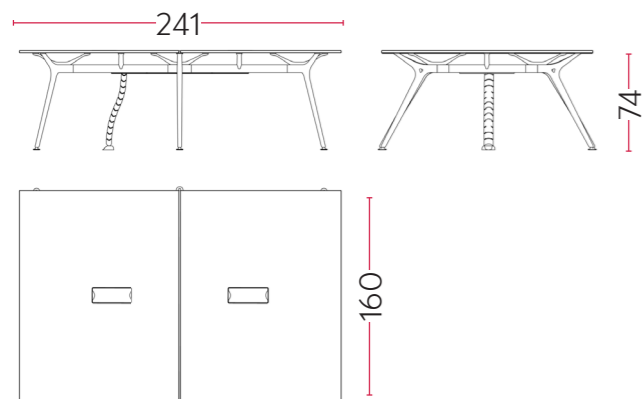


BLACK

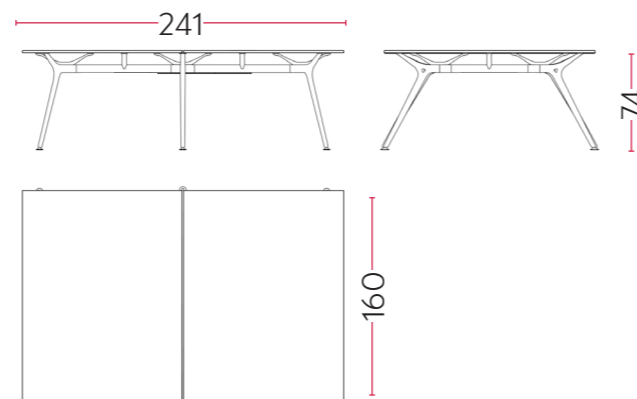


■ **Measures**

Configuration 1: 07 + Polished



Configuration 2: 59 + Black



# 10. VITAL PLUS

HP64-- + 588-- + 3952--



## ■ Description

VITAL PLUS 60

Meeting table 220x120, aluminium legs triangular shape, MFC top with cable access and cable management.

## ■ Finishes

Finishes and colours may vary for the final product.

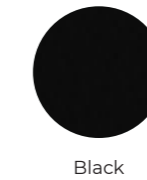
### Top desk

MFC



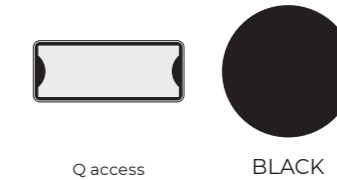
### Structure

METAL



Black

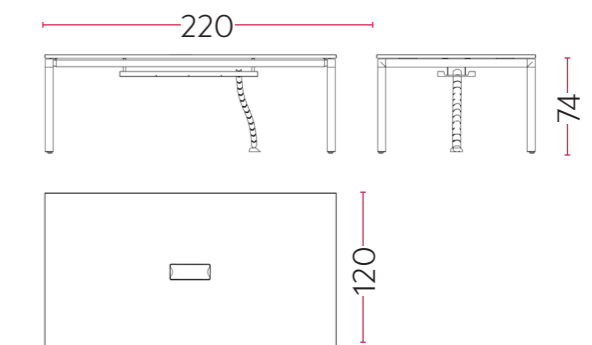
### Cable access



Q access

BLACK

## ■ Measures



# Coffee tables

by Actiu



# 16. LONGO NOMADA

LG6--

Configuration 1: 07 + Black

Configuration 2: 11 + White



## ■ Description

LONGO NOMADA

Coffee table, injected aluminium legs with levellers, MFC top

## ■ Finishes

Finishes and colours may vary for the final product.

### Top desk

MFC



11

Lime oak



07

Chestnut

### Structure

METAL



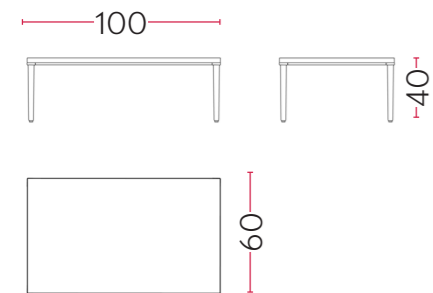
White



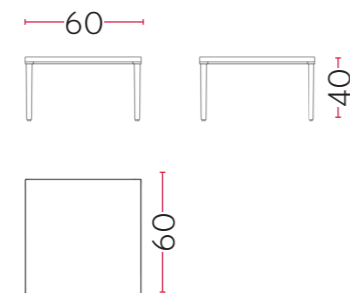
Black

## ■ Measures

LG61--



LG66--







## ■ Description

TABULA

Coffee table tar-10 60cm diameter,  
round base and round MFC top

## ■ Finishes

Finishes and colours may vary for the final product.

### Top desk

MFC



Chestnut

Dark  
oak

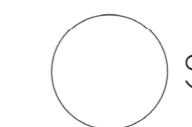
### Structure

METAL



Black

## ■ Measures



# 16. BEND

FM55--

Configuration 1: 11 + Black

Configuration 2: 00 / 11 + White



## ■ Description

BEND

Coffee table 38cm height, 3 pyramidal legs, MFC round top 55cm diameter

## ■ Finishes

Finishes and colours may vary for the final product.

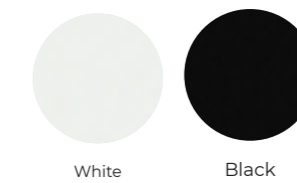
### Top desk

MFC

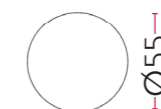


### Structure

METAL



## ■ Measures





## ■ Description

COLECTIVA

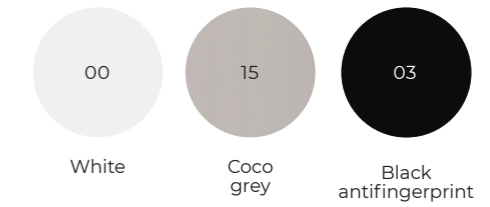
Rectangular desk, 40x40mm squared legs, MFC top

## ■ Finishes

Finishes and colours may vary for the final product.

### Top desk

MFC



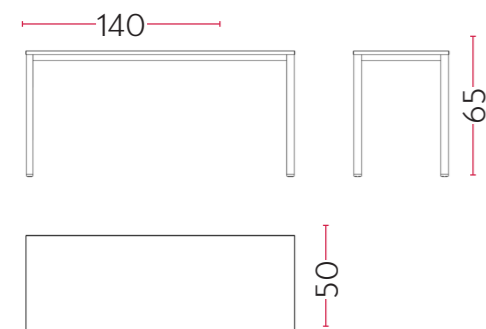
### Structure

METAL

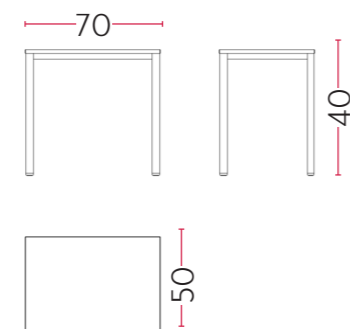


## ■ Measures

CL81--

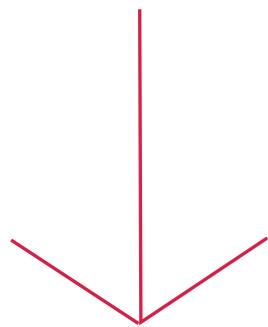


CL80--





**Reception**



# Reception desk

by Actiu



# 11. INFORMA

MI3-- + MI50-- + MI51-- + MIX--



## ■ Description

INFORMA

Reception counter, aluminium legs/frame, two heights, two disabled modules, MFC desk and shelf

## ■ Finishes

Finishes and colours may vary for the final product.

### Worktop MFC



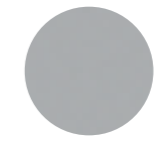
White

### Front panel WOOD



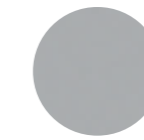
Natural oak

### METAL



Silver

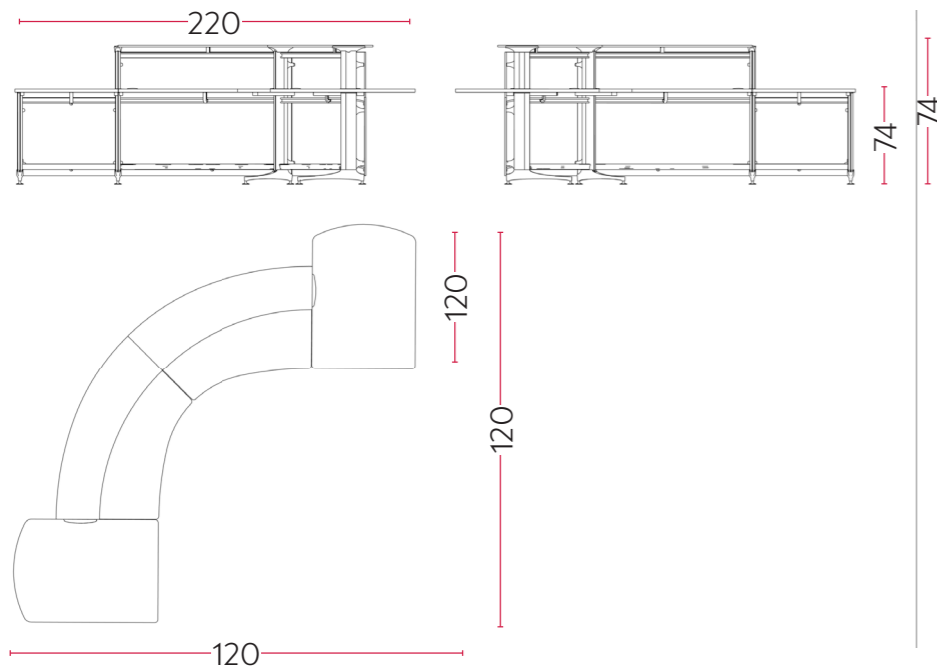
### Structure METAL



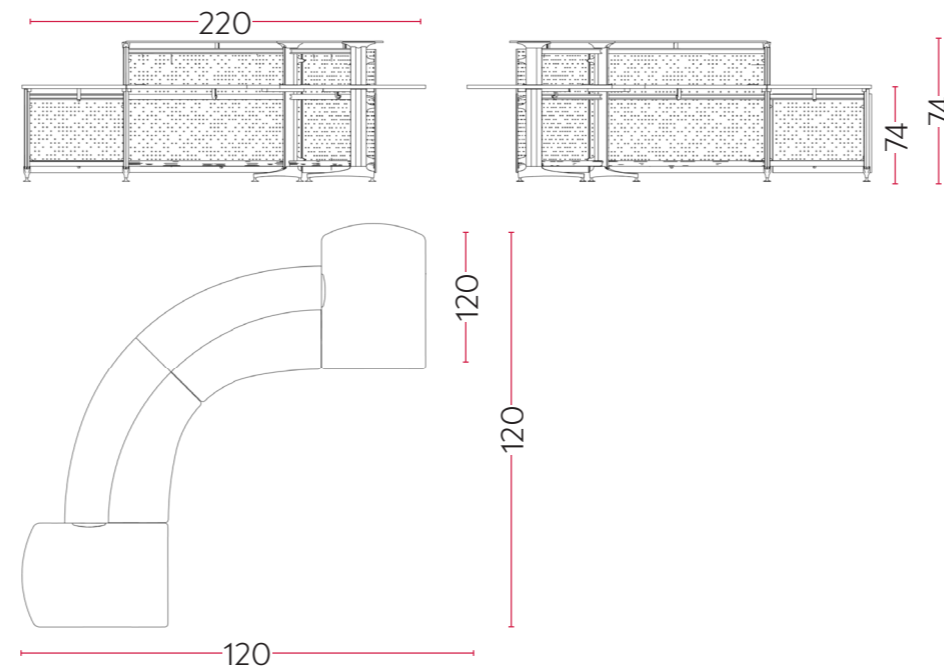
Silver

## ■ Measures

WOOD

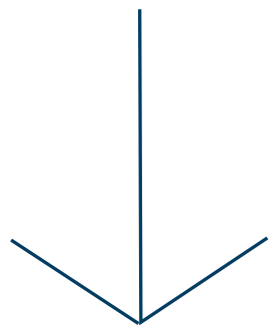


METAL





**Chairs**





# Office chairs

by Actiu





## ■ Description

CRON

Class series, high backrest with headrest, fixed arms, 5 star base, synchro mechanism, back tilt, seat trasla, fully upholstered

## ■ Finishes

Finishes and colours may vary for the final product.

### Upholstery

"P" FABRIC



P10

GROUP 8

### Structure / Base

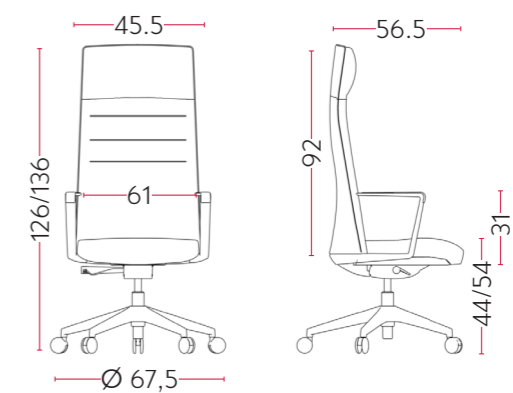
METAL



07

Silver Polished

## ■ Measures





## ■ Description

KADOS.

High back with headrest and fixed arms, aluminium base, synchro mechanism, depth adjustable seat, artificial leather upholstered

## ■ Finishes

Finishes and colours may vary for the final product.

### Upholstery

"U" FABRIC

GROUP 2



U12

### Structure / Base

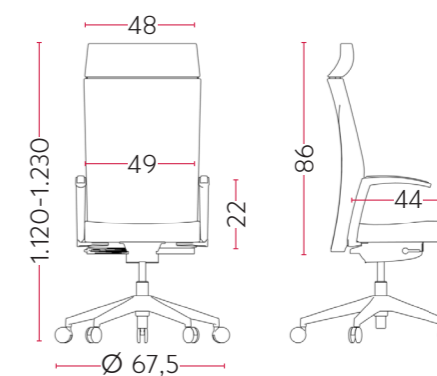
METAL



07

Silver Polished

## ■ Measures



# 12. TNK A500

8--



## ■ Description

TNK A500.

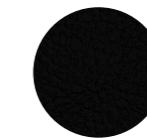
Task chair with arms, aluminium base and frame, self-return and auto leveller gas left, artificial leather upholstered

## ■ Finishes

Finishes and colours may vary for the final product.

### Upholstery

"V" FABRIC



V10



### Structure / Base

METAL

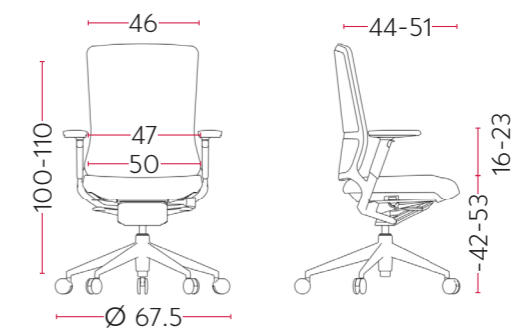


Silver Polished



Black

## ■ Measures





## ■ Description

TNK FLEX.

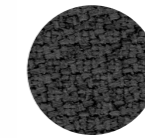
Task chair fully upholstered, medium back, black polypropylene arms, PUR armrest, aluminium base, black castors

## ■ Finishes

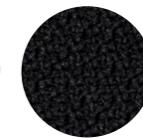
Finishes and colours may vary for the final product.

### Upholstery

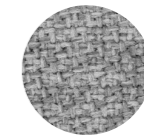
“M” FABRIC



M22



M12



M14



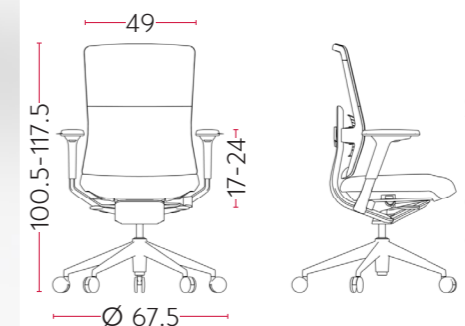
### Structure / Base

METAL



Black

## ■ Measures



# 12. TRIM

TR5--

Finish available: T82 / T84



## Description

TRIM.

Task chair series 50, tex backrest, polyamide/metal frame, 2D polyamide arms, upholstered seat. Optional headrest

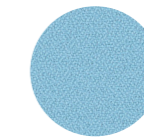
## Finishes

Finishes and colours may vary for the final product.

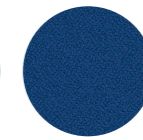
### Upholstery

"T" FABRIC

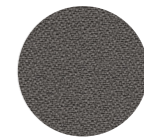
GROUP 1



T68



T89



T84



T82

### Structure / Base

METAL



White

POLYAMIDE

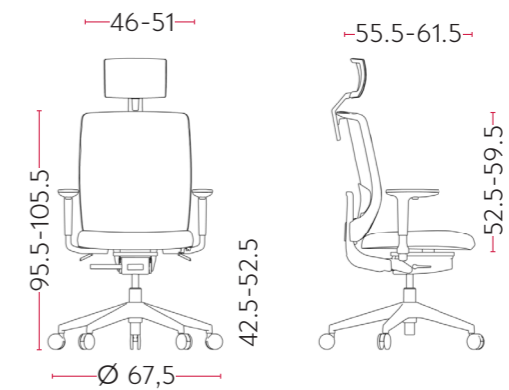


Black

### Headrest

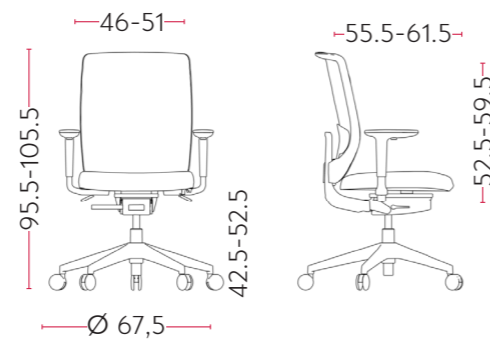


## Measures



### WITHOUT HEADREST

TR5010B--



Finish available: T68 / T89



## ■ Description

TRIM.

Task chair series 30, mesh backrest, 2D polypropylene arms, aluminium base, upholstered seat

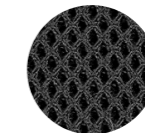
## ■ Finishes

Finishes and colours may vary for the final product.

### Upholstery

"H" FABRIC

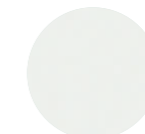
GROUP 5



H12

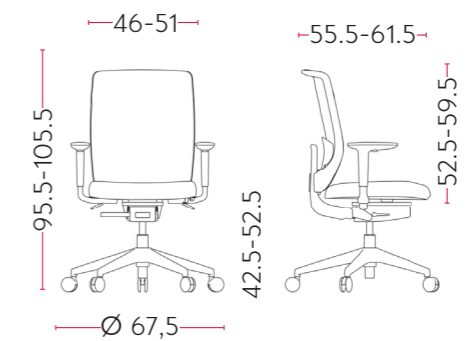
### Structure / Base

METAL



White

## ■ Measures



# 12. EFIT

EF421--

Configuration 1: T68 / T86 / T85 / T82 + White

Configuration 2: T84 / T82 + Black



## ■ Description

EFIT

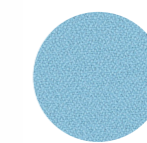
Task chair, medium PP back, with arms and synchro mechanism, polyamide base, PP 2D arms, upholstered seat

## ■ Finishes

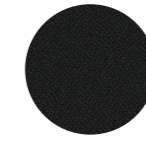
Finishes and colours may vary for the final product.

### Upholstery

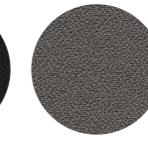
"T" FABRIC



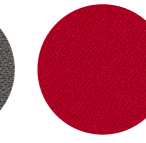
T68



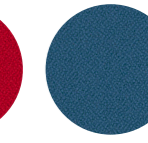
T82



T84



T85

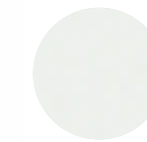


T86

GROUP 1

### Structure / Base

POLYAMIDE

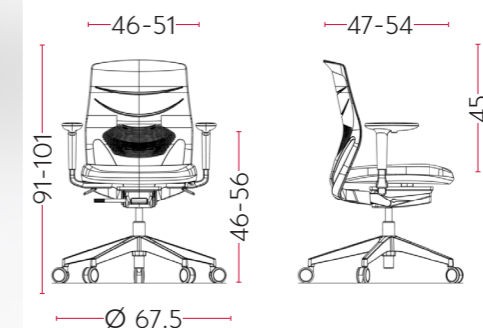


White



Black

## ■ Measures







■ **Description**

STAY

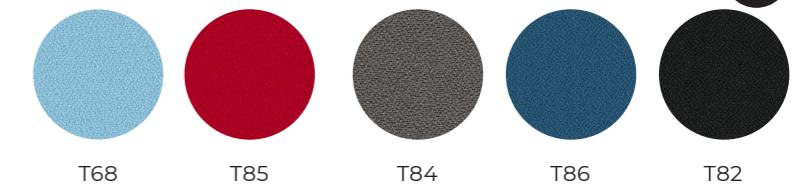
Task chair mesh backrest, lumbar support, polyamide arm support, aluminium base, upholstered seat

■ **Finishes**

Finishes and colours may vary for the final product.

**SEAT**

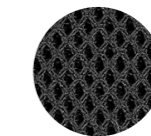
"T" FABRIC



**BACKREST**

FABRIC

"H" FABRIC



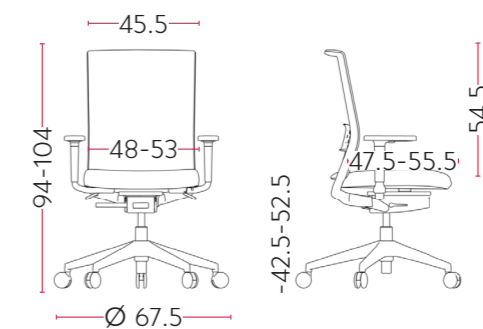
**Structure / Base**

METAL



Black

■ **Measures**



# Multi-purpose chairs

by Actiu



# 13. WING

WG10--

Configuration 1: Thermoplastic 00 / 21 / 10 / 25 / 13 / 16



## Description

WING

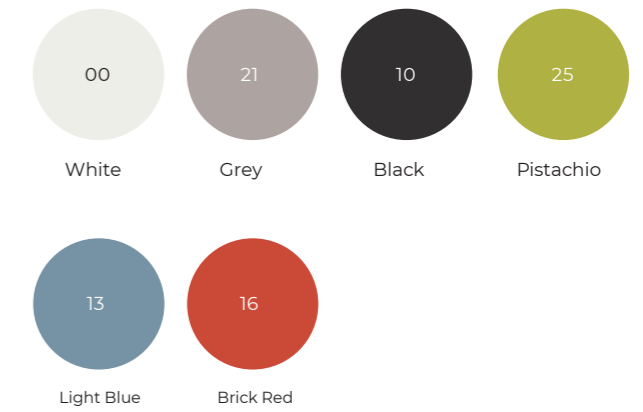
Multipurpose chair, 4 legs, polypropylene

## Finishes

Finishes and colours may vary for the final product.

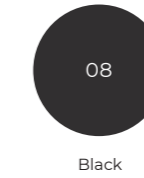
## Structure

THERMOPLASTIC

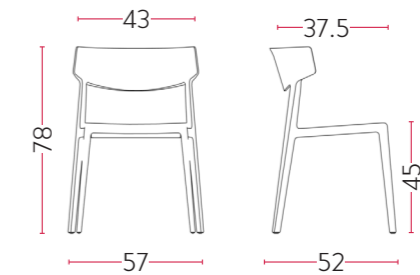


## Seat upholstered

POLIURETHANE



## Measures



WITH PAD  
WG2010--



Configuration 2: Thermoplastic10 + Poliurethane 08

# 13. WHASS

WH100--

Configuration 1: Metal + 00 / 10



## Description

WHASS

Multipurpose chair/ stool, PP carcass, without arms, steel/ wood legs. Options: 4 steel legs, 4 wood legs, 4 spoke base with castors, draughtman stool

## Finishes

Finishes and colours may vary for the final product.

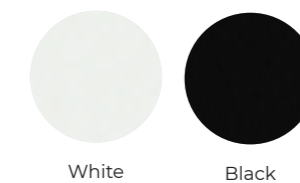
### Shell

THERMOPLASTIC

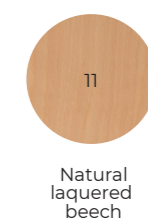


### Frame

METAL



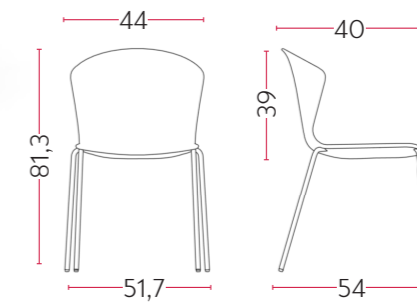
WOOD



POLYAMIDE



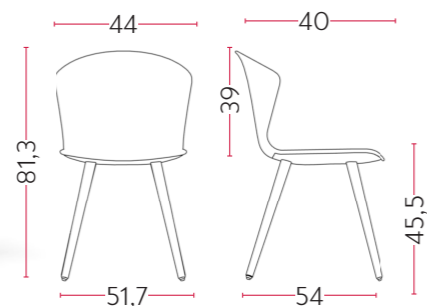
## Measures



### WOODEN LEGS WH200--



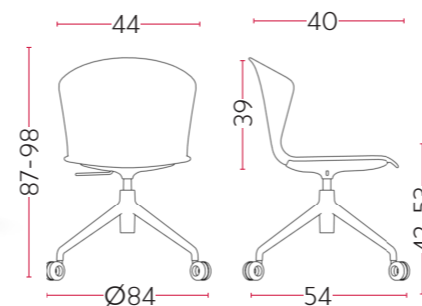
Configuration 2: Wood + 00 / 10



### WITH CASTORS WH310--



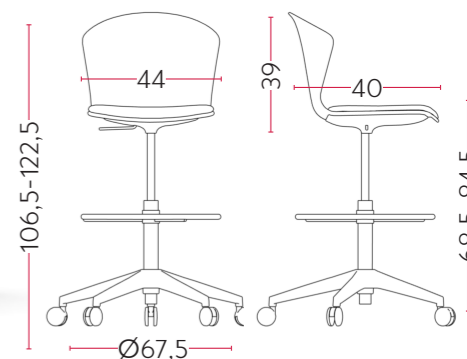
Configuration 3: Metal + 00 / 10



### DRAUGHTSMAN CHAIR WH360101VE10



Configuration 4: Polyamide + 00 / 10



# 13. NOOM 40

NM40--

Configuration 1: Wood + 10



## Description

NOOM

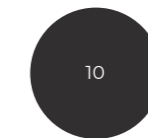
Multipurpose chair/ stool, PP carcass, without arms, steel/ wood legs. Options: 4 steel legs, 4 wood legs, 4 spoke base with castors, draughtman stool

## Finishes

Finishes and colours may vary for the final product.

### Shell

THERMOPLASTIC



Black

### Frame

METAL



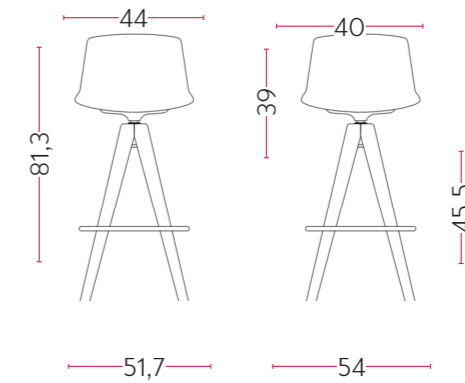
Black

WOOD

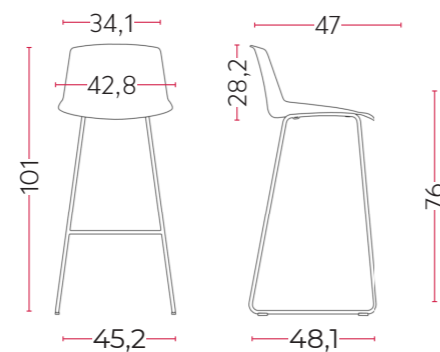


Natural laquered beech

## Measures



STOOL/DRAUGHSTMAN  
NM40--



Configuration 2: Metal + 10

# 13. NOOM 50

NM5--

Configuration 1: 21 + White



## Description

NOOM

Multipurpose chair, PP/ upholstered shell, steel frame  
options: 4 legs, cantilever or 4 spoke base with caps

## Finishes

Finishes and colours may vary for the final product.

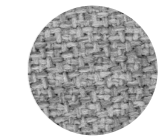
### Shell

THERMOPLASTIC

Fabric "M "



Grey



M14

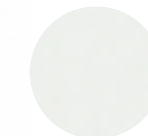


M22



### Frame

METAL

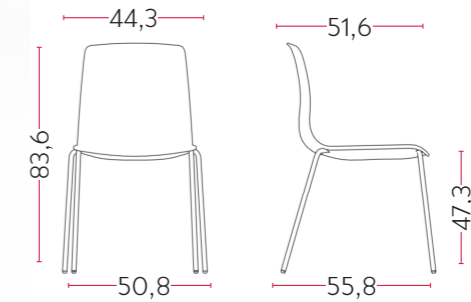


White



Black

## Measures

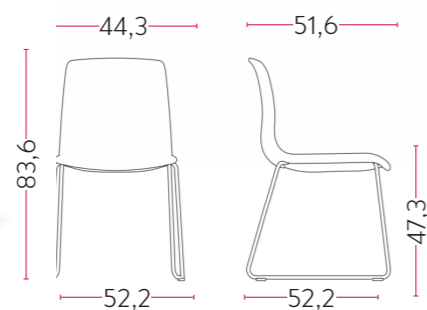


## CANTILIEVER STRUCTURE

NM51--



Configuration 2: M14 + White

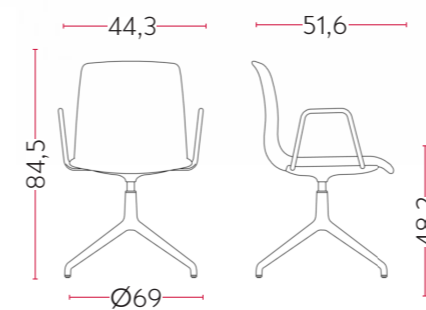


## 4 STAR BASE

NM55--



Configuration 3: M22 + Black



# 13. URBAN BLOCK 20

UB20--



## ■ Description

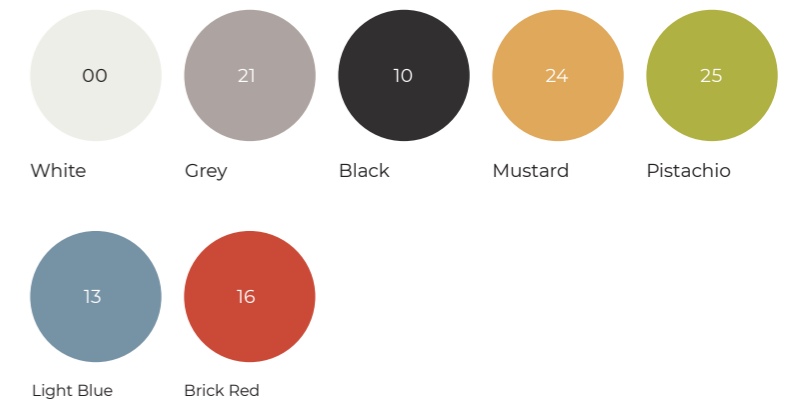
URBAN BOLCK20

Multipurpose chair, without arms, steel  
4 legs base, Polypropylene shell

## ■ Finishes

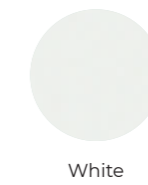
Finishes and colours may vary for the final product.

### Shell THERMOPLASTIC

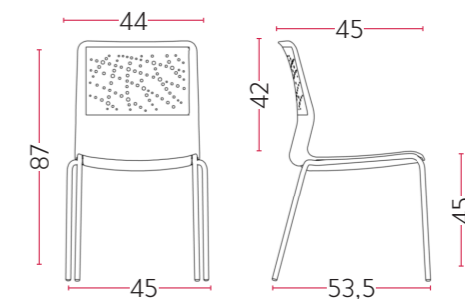


### Frame

METAL



## ■ Measures



# 13. URBAN BLOCK 30

U30--

Configuration 1: T82 + S30 + White polyamide



## Description

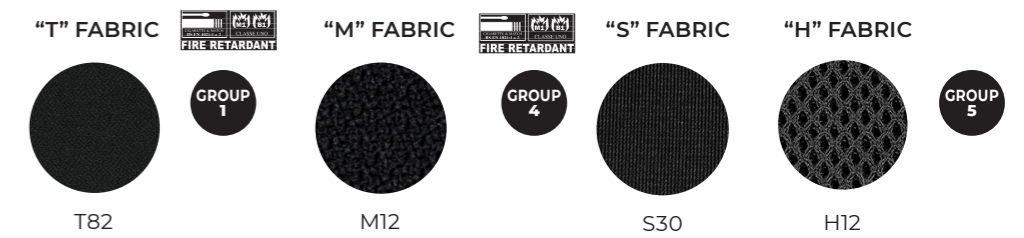
URBAN BOLCK 30

Multipurpose chair, series 30 mesh backrest, with arms, upholstered seat. Different base options: polyamide 5 star, metal 4 spoke, cross, cantilever and 4 legs

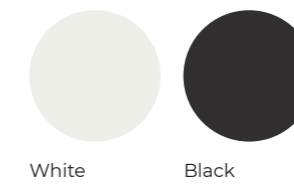
## Finishes

Finishes and colours may vary for the final product.

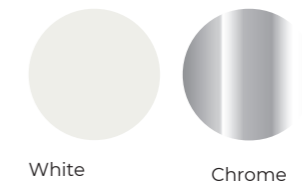
### Upholstered



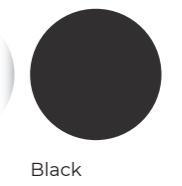
### Seat support POLYAMIDE



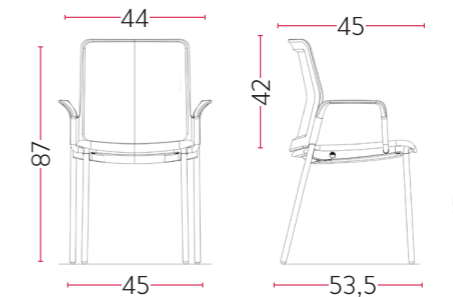
### Frame METAL



### POLYAMIDE



## Measures

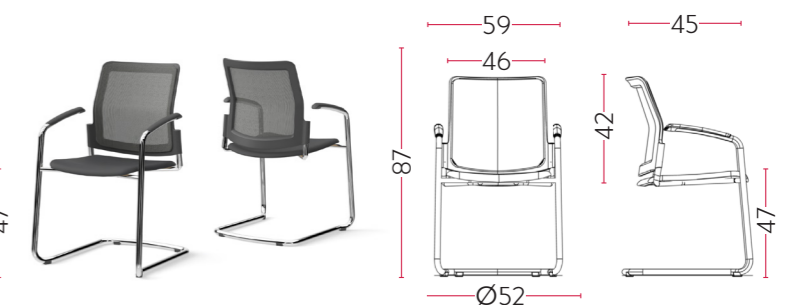
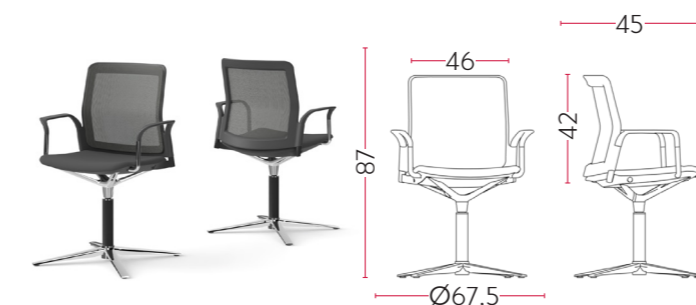


### GAS LIFT WITH ARMS U33--

### SELF-RETURN WITH ARMS U31--

### CROSS BASE WITH ARMS U37--

### CANTILEVER WITH ARMS U39--



Configuration 2: T82 + H12 + Black polyamide

Configuration 3: T82 + H12 + Chrome

Configuration 4: M12 + H12 + Chrome

Configuration 5: T82 + H12 + Chrome



Finish available: V10



■ **Description**

IKARA.

Visitor chair, upholstered or wood shell, metal 4 legs or swivel base

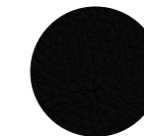
■ **Finishes**

Finishes and colours may vary for the final product.

**Upholstery**

**FABRIC**

"V" FABRIC



V10

**WOOD**



11

Natural laquered beech

**Structure**

**METAL**



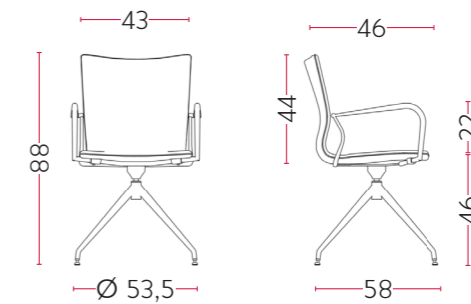
09

Chrome

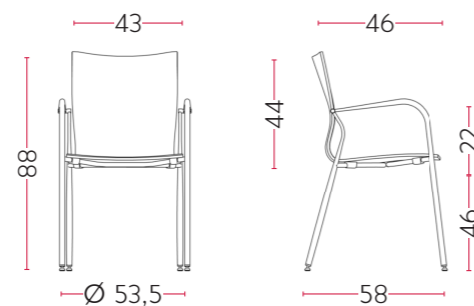
**Swivel Base**



■ **Measures**



**4 LEGS**  
82--



Finish available: 11

# 13. SPACIO

SP10--



Configuration 1: 17 / 18 / 19 / 24 / 10 + Silver

Configuration 2: 00 / 21 + White



## Description

SPACIO

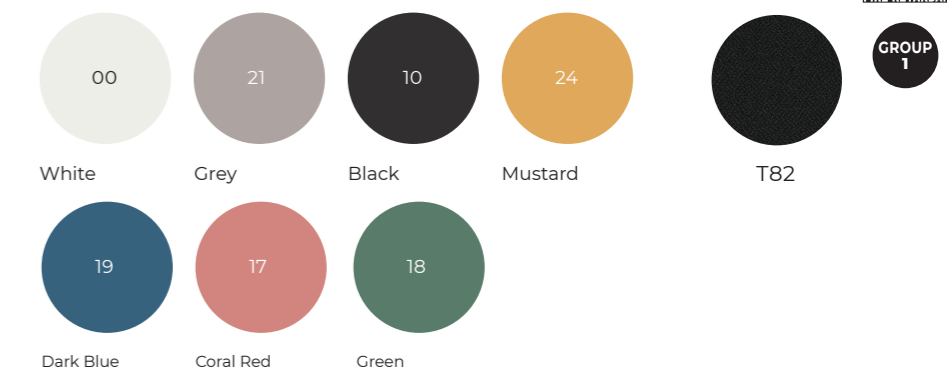
Multipurpose chair. PP shell, with or without arms, 4 steel legs or polyamide 5 star base with castors

## Finishes

Finishes and colours may vary for the final product.

### Shell

P.P

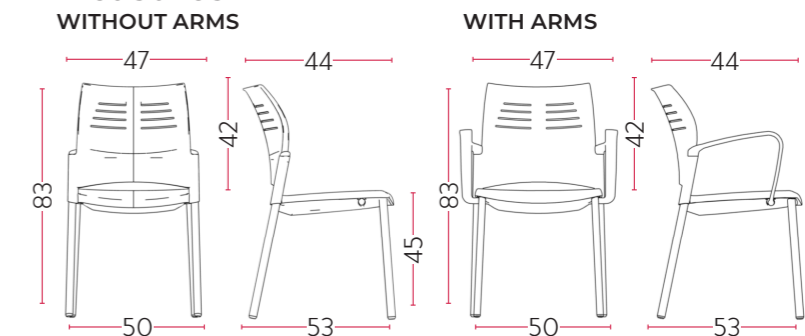


### Frame

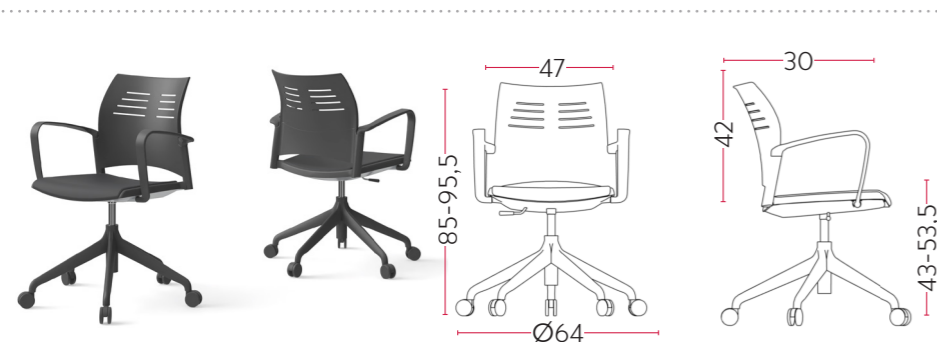
METAL



## Measures



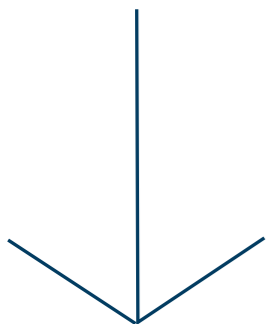
## 5 SPOKE BASE



Finish available: T82 + 10 + Black polyamide



**Bench setaing**



# Bench seating

by Actiu





## ■ Description

NOOM

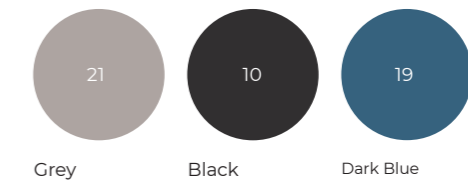
Bench seating, 3 seats, PP carcass, without arms, aluminium beam and legs

## ■ Finishes

Finishes and colours may vary for the final product.

### Shell

THERMOPLASTIC



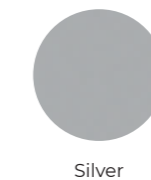
Grey

Black

Dark Blue

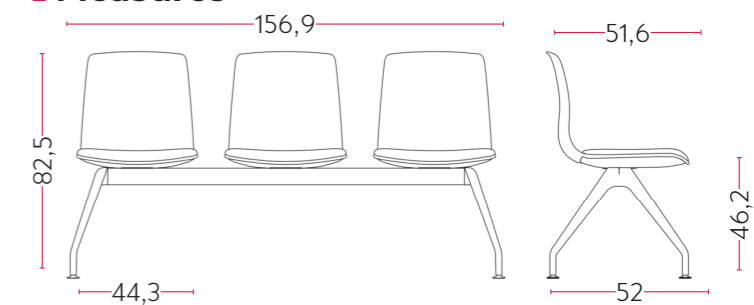
### Frame

METAL



Silver

## ■ Measures





## ■ Description

SPACIO

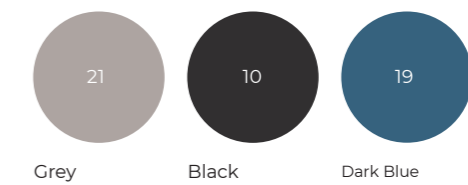
Bench seating, 3 seats without arms,  
PP shell, metal frame

## ■ Finishes

*Finishes and colours may vary for the final product.*

### Shell

POLYPROPYLENE



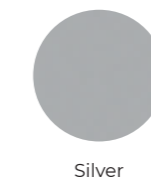
Grey

Black

Dark Blue

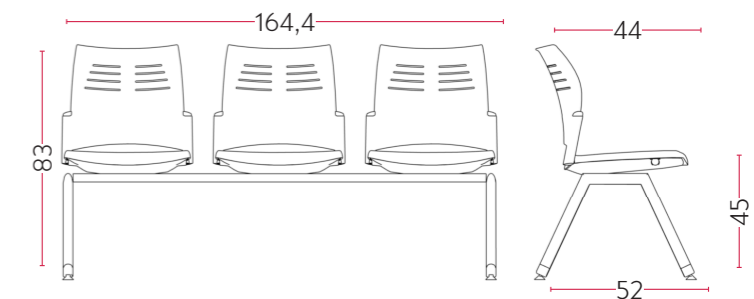
### Frame

METAL



Silver

## ■ Measures





## ■ Description

PASSPORT

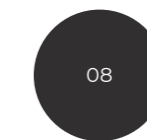
Bench seating 3 seats with external arms,  
PU seat and back, metal frame

## ■ Finishes

Finishes and colours may vary for the final product.

### Shell

POLIURETHANE



Black

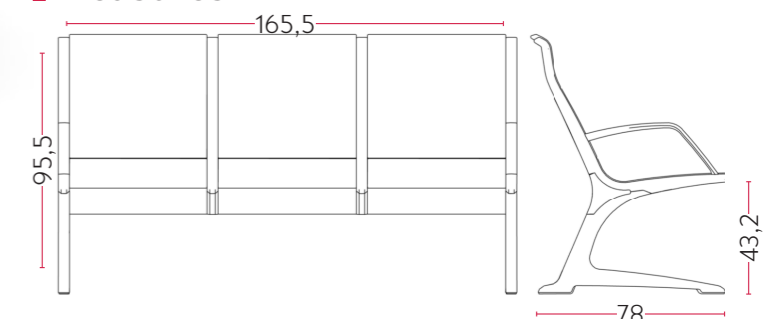
### Frame

METAL



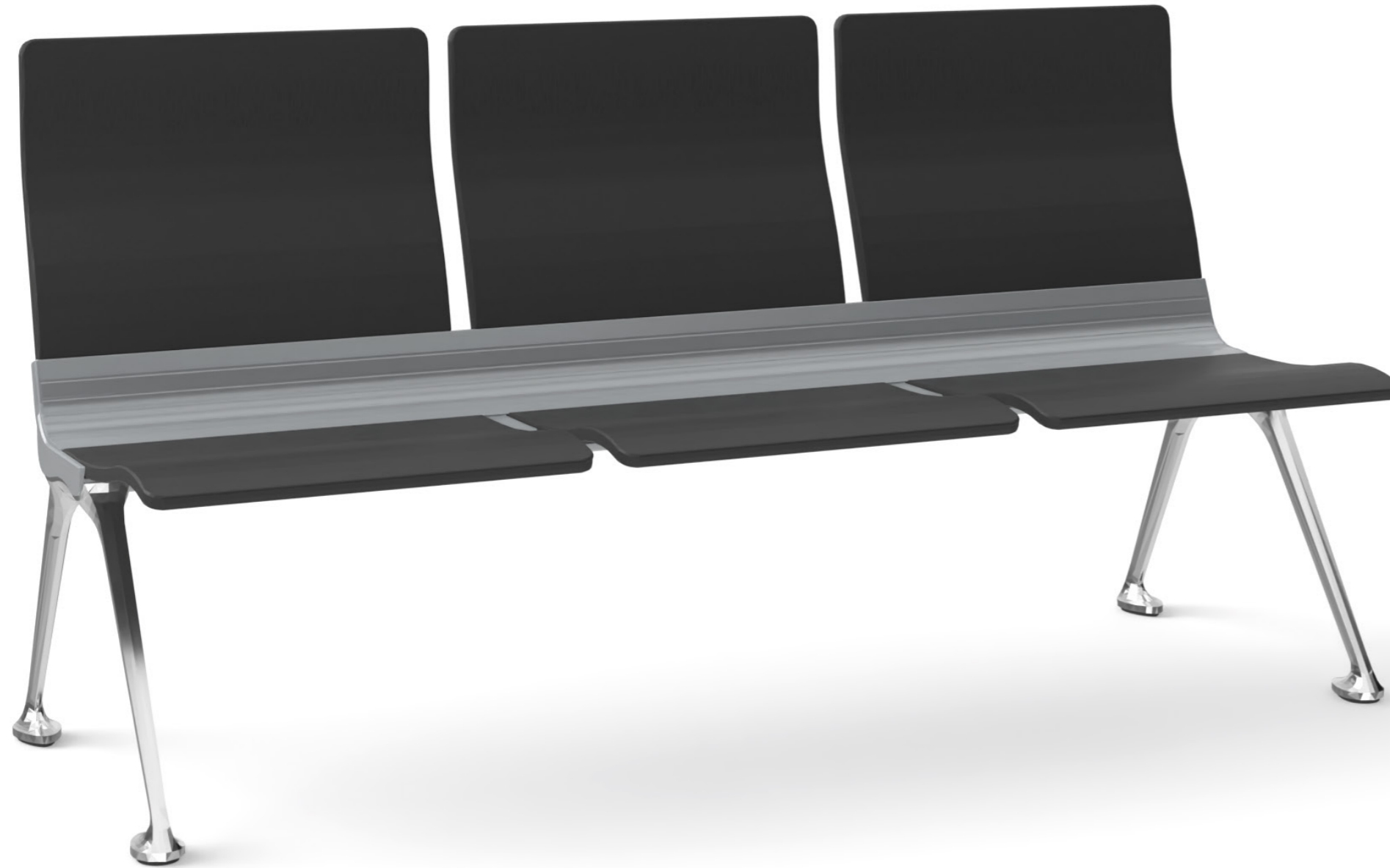
Silver  
Polished

## ■ Measures



# 14. TRANSIT

TS33--



## ■ Description

TRANSIT

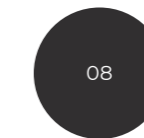
Bench seating 3 seats without arms, PU or steel seat and back, metal frame, optional side table

## ■ Finishes

Finishes and colours may vary for the final product.

### Shell

POLIURETHANE



Black

METAL



Burgundy

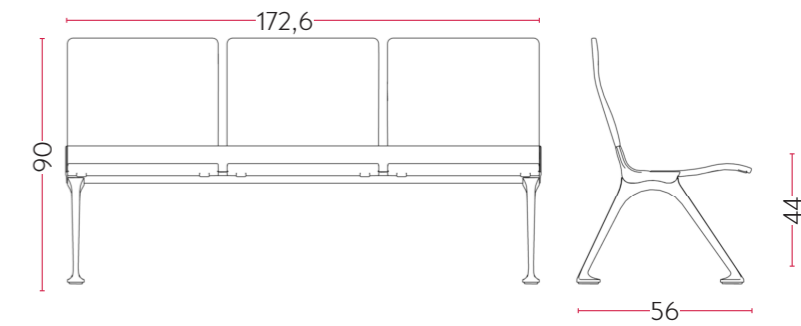
### Frame

METAL



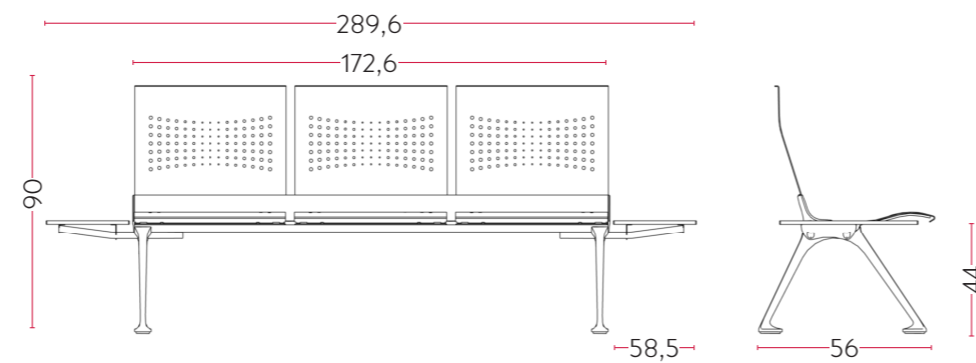
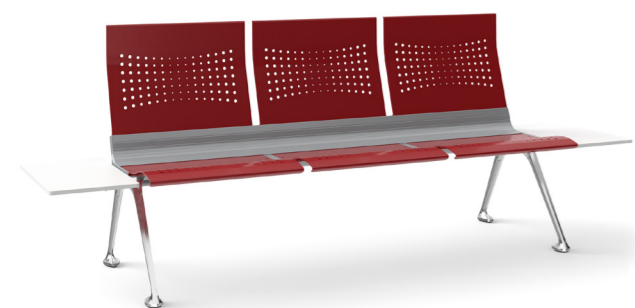
Polished

## ■ Measures



## WITH AUXILIAR TABLE

TS23-- + TS82----







### ■ Description

AVANT

3 seats with external arms, plywood seat and back, metal frame

### ■ Finishes

Finishes and colours may vary for the final product.

#### Shell WOOD



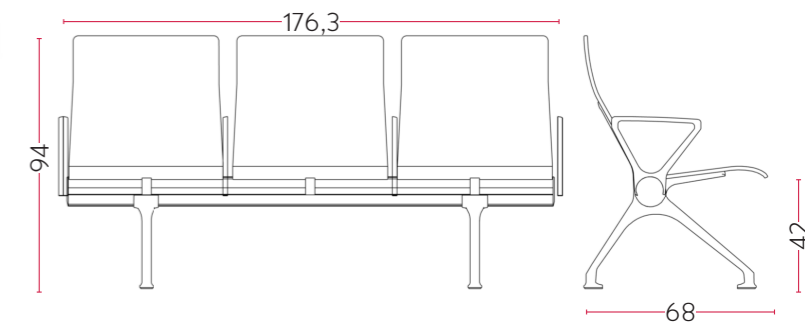
Natural  
laquered  
beech

#### Frame METAL



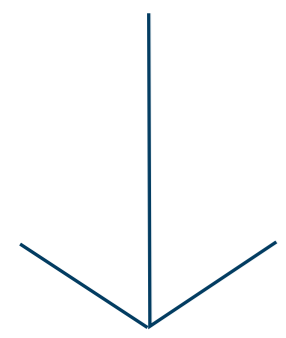
Silver  
Polished

### ■ Measures





**Soft seating**



# Louche seating

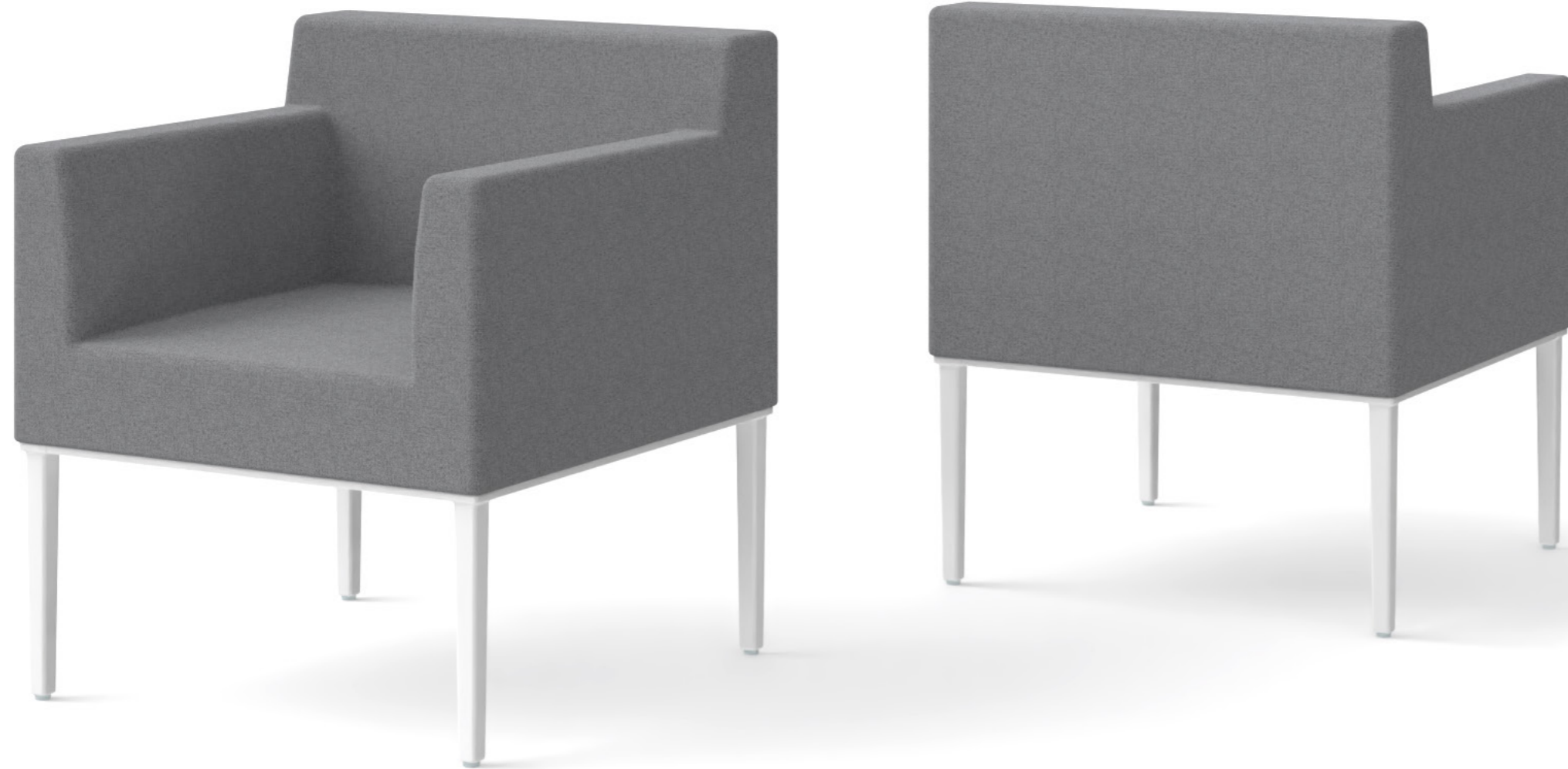
by Actiu



# 15. LONGO

LG14--

Configuration 1: M14 + White  
Configuration 2: V18 + Black



## ■ Description

LONGO NOMADA

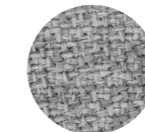
Armchair 4 legs single seat, aluminium frame and fully upholstered seat

## ■ Finishes

Finishes and colours may vary for the final product.

### Upholstery

“M” FABRIC

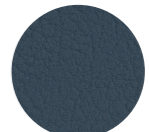


M14



GROUP 4

“V” FABRIC



V18

### Structure

METAL

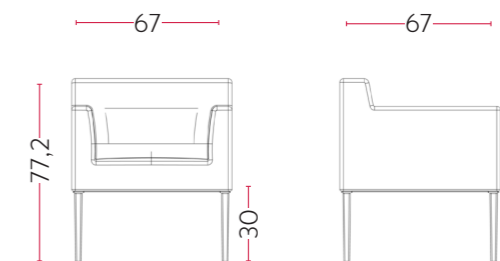


White



Black

## ■ Measures



# 15. NOOM 10

NM12--

Configuration 1: M14 + Wood



## Description

NOOM

Noom armchair medium back, series 10, different bases: 4 wood legs, 4 pyramid wood legs or 4 metal legs, upholsterd seat

## Finishes

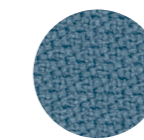
Finishes and colours may vary for the final product.

### Upholstery

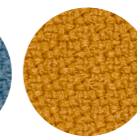
"M" FABRIC



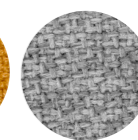
"V" FABRIC



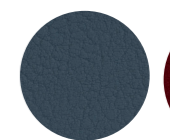
M78



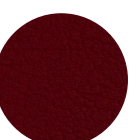
M91



M14



V18



V15

### Structure

METAL

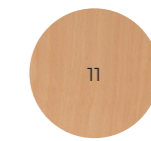


White



Black

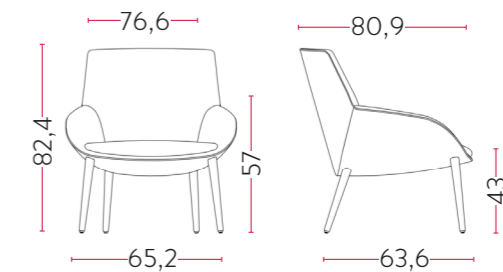
WOOD



11

Natural laquered beech

## Measures

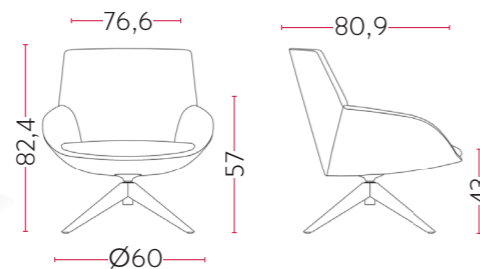


### PYRAMIDAL LEGS

NM1221--



Configuration 2: V18 + Wood

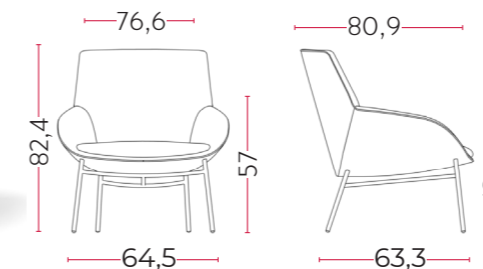


### 4 METAL LEGS

NM1200--



Configuration 3: M78 / M91 + White  
Configuration 4: V15 + Black



# 15. NOOM 20

NM22--

Configuration 1: M76 + 28

Configuration 2: M90 / M92 / M17 + 21



## ■ Description

NOOM

Noom Armchair high back, series 20, 4 wood pyramidal shape base, fully upholstered seat

## ■ Finishes

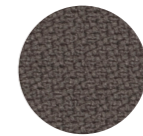
Finishes and colours may vary for the final product.

### Upholstery

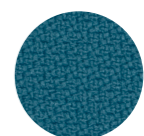
"M" FABRIC



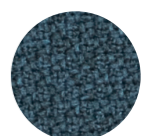
M90



M92



M76



M17

### Base

WOOD



21

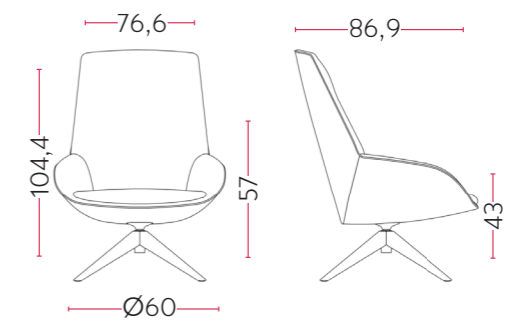
Natural laquered beech



28

Black Beech

## ■ Measures



# 15. NOOM 30

NM32--

Configuration 1: M76 / M24 / V18 / M22 + 21  
 Configuration 2: M23 / M19 + 28



## Description

NOOM

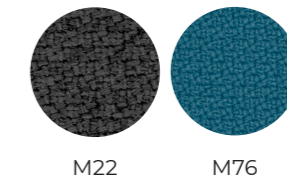
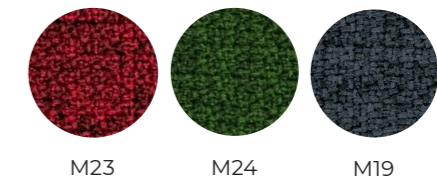
Noom chair medium back, series 30, different bases 4 wood legs or 4 spoke with castors aluminium, fully upholstered seat

## Finishes

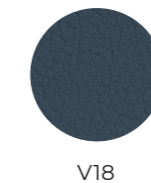
Finishes and colours may vary for the final product.

### Upholstery

"M" FABRIC

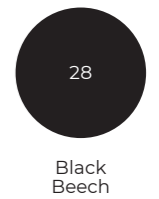


"V" FABRIC

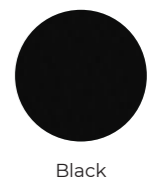


### Structure

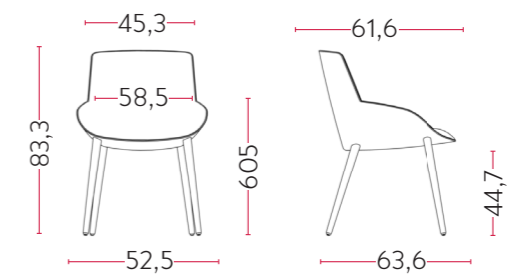
WOOD



METAL

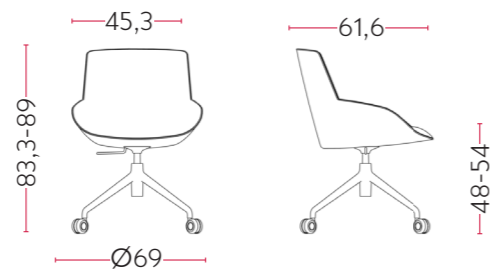


## Measures



### 4 STAR BASE ON CASTORS

NM32--



Configuration 3: M19 + black

# 15. BADMINTON

BM20--

Configuration 1: M14 + White

Configuration 2: P10 + Black



## ■ Description

BADMINTON

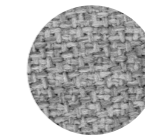
Armchair, aluminium round base, polyurethane shell and upholstered seat

## ■ Finishes

Finishes and colours may vary for the final product.

### Upholstery

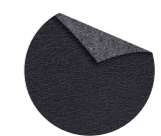
“M” FABRIC



M14



“P” FABRIC



P10



### Base

METAL

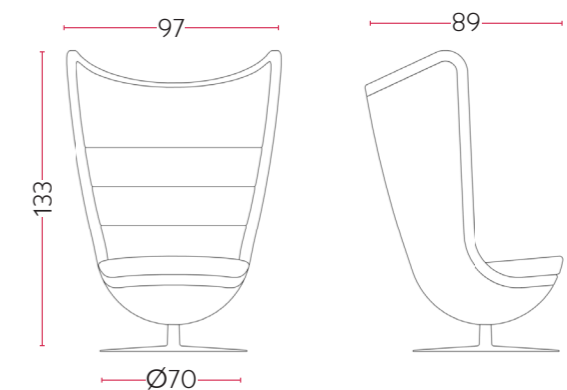


White



Black

## ■ Measures





# Soft seating. Bend

by Actiu



# 23. BEND

F23--



## Description

BEND

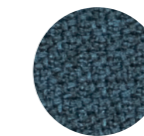
Modular soft seating different shapes, aluminium legs and fully upholstered seat

## Finishes

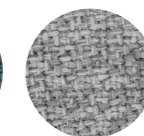
Finishes and colours may vary for the final product.

### Upholstery

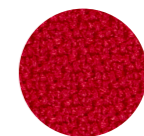
"M" FABRIC



M17



M14

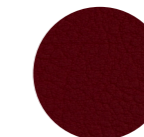


M75



M23

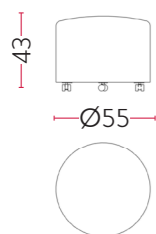
"V" FABRIC



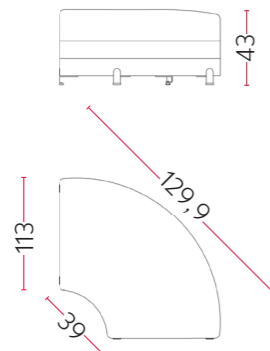
V15

## Measures

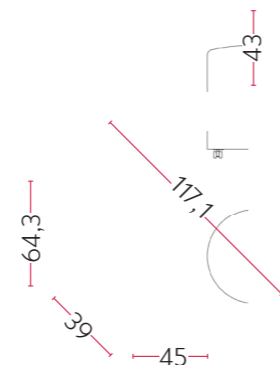
F10--



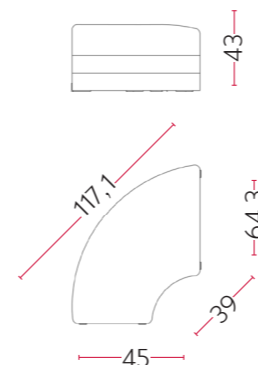
F23--



F24--



F25--





### ■ Description

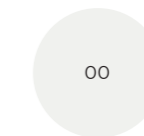
BEND

Bend coffee table, steel structure, MFC top

### ■ Finishes

Finishes and colours may vary for the final product.

#### Top desk MFC



White

#### Structure METAL



White

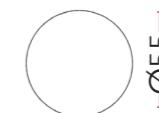
### ■ Measures



66



38



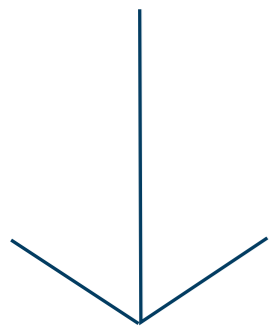
Ø55



Ø55



**Agile**







■ **Description**

CADDY

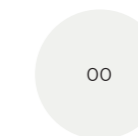
Video-conference 160x60, Panel with power frame system (HDMI+ 2 PLugs), powerframe EU 220w, with castors

■ **Finishes**

*Finishes and colours may vary for the final product.*

**Top**

MFC



White

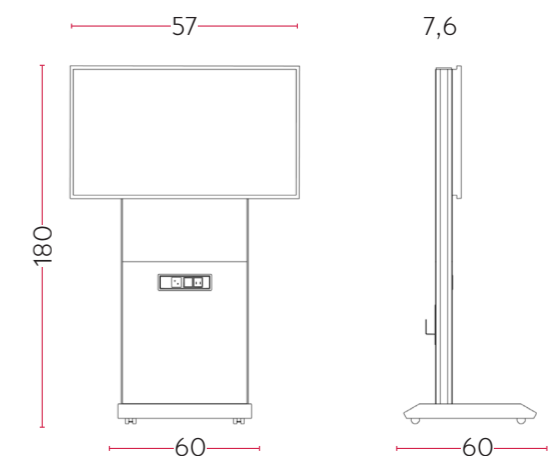
**Base**

METAL



White

■ **Measures**



# 17. CADDY 500

CDT12-- /CDC12--

Configuration 1: M19 + M14 + Writable top panel + White bucket + White structure

Configuration 2: T68+ 11 + Writable top panel + White bucket + White structure

Configuration 3: T84+ 15 + Writable top panel + Black bucket + Black structure



## Description

CADDY 500

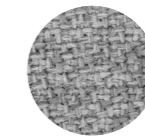
Panel Tech model, different combinations and accessories, upholstered, writeable or MFC panels. With power frame with dedicated PC UK 220w

## Finishes

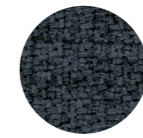
Finishes and colours may vary for the final product.

### Top

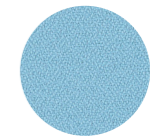
"M" FABRIC



M14



M19



T68



T84

WRITEABLE TOP PANEL



White



Lime oak



Coco grey

### Structure / Bucket

METAL

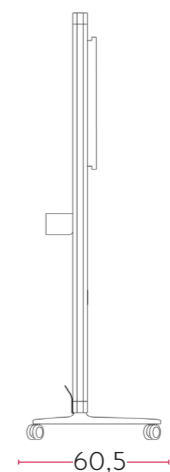
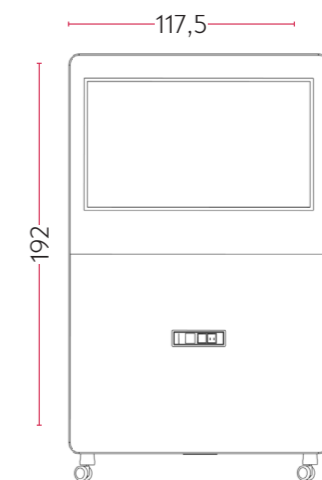


White



Black

## Measures





## ■ Description

GRANDSTAND

Grandstand with castors, 160x42.5x104, back shelves and castors with brackets. All MFC light oak finish

## ■ Finishes

Finishes and colours may vary for the final product.

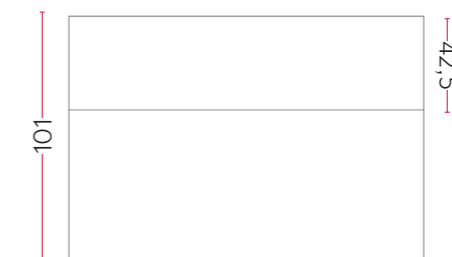
### Structure

MFC



Light oak

## ■ Measures







## ■ Description

PUFF

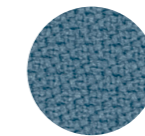
Agile puff upholstered, black castors

## ■ Finishes

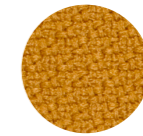
Finishes and colours may vary for the final product.

### Upholstery

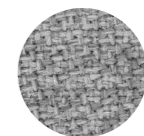
"M" FABRIC



M78



M91

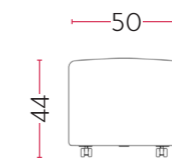


M14



M90

## ■ Measures



50

44



40

# 17. AGILE AUXILIARY TABLE

MAA--

Configuration 1: 30 + White

Configuration 2: 00 + White

Configuration 3: 08 + Black



## ■ Description

AGILE AUXILIARY TABLE

Auxiliary table 50cm height, 41x25, aluminium frame, compact laminate top

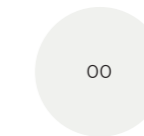
## ■ Finishes

Finishes and colours may vary for the final product.

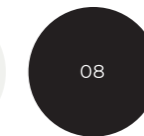
### Top

MFC

COMPACT LAMINATE



White



Black



White

### Base

METAL

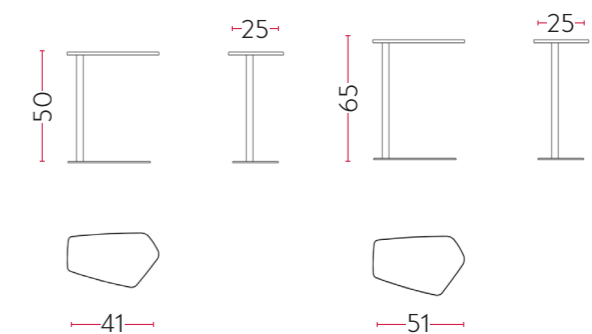


White



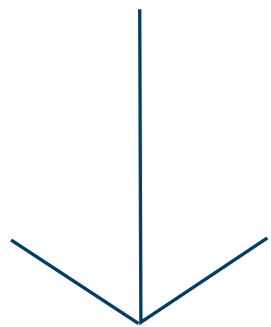
White

## ■ Measures





**Filing systems**



# Storage Cubic

by Actiu



# 17. CUBIC

NL115-- + NX11--

- Configuration 1: 11 + 11
- Configuration 2: 07 + 07
- Configuration 4: White/Lime oak + 11
- Configuration 3: White/Chestnut + 07



## Description

CUBIC

Storage 123x160x40, with slidding doors

## Finishes

Finishes and colours may vary for the final product.

### Structure

MFC

1 Color



2 Colors

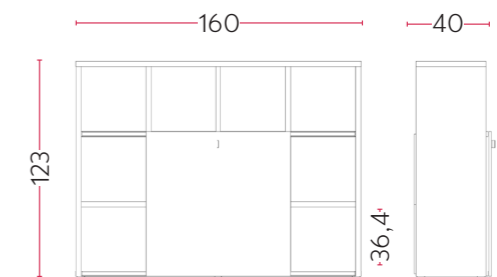


### Door

MFC



## Measures



# Storage Longo

by Actiu





### ■ Description

LONGO

Storage 155x88, metal legs, MFC structure, MFC or glass doors with lock

### ■ Finishes

Finishes and colours may vary for the final product.

#### Structure

MFC



Chestnut



Dark oak

#### Doors

MFC



Chestnut



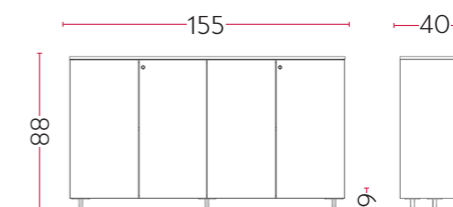
Dark oak

GLASS



Black

### ■ Measures





■ **Description**

LONGO

Credenza unit 180x69 2 slidding doors, metal legs, MFC top and body, glass doors

■ **Finishes**

*Finishes and colours may vary for the final product.*

**Panels**

MFC



Lime oak

**Door**

GLASS



Black

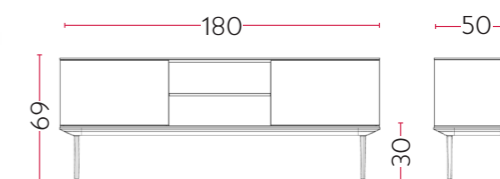
**Structure**

METAL



Black

■ **Measures**





# Storage Block

by Actiu



# 19. BLOCK

BL3--

Configuration 1: 07 + 07  
Configuration 2: 14 + 14  
Configuration 3: 08 + 59



## Description

BLOCK

Storage serie 30 91.5x156, metal legs MFC structure and doors

## Finishes

Finishes and colours may vary for the final product.

### Panels

MFC



### Doors

MFC

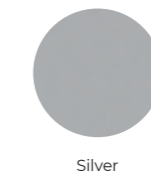


GLASS

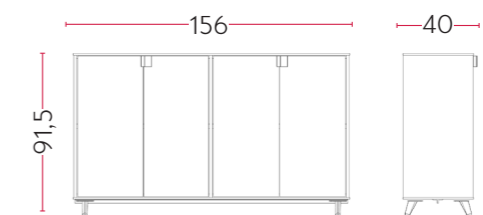


### FEET

METAL



## Measures



# Modular storage

by Actiu



# 20. MODULAR STORAGE

AR82--



## Description

MODULAR STORAGE

Storage, all one finish, all MFC, with lock and handle and internal shelves

## Finishes

Finishes and colours may vary for the final product.

### Panels

MFC



Chestnut



Dark oak



Black

### Door

MFC



Chestnut



Dark oak

GLASS



Black

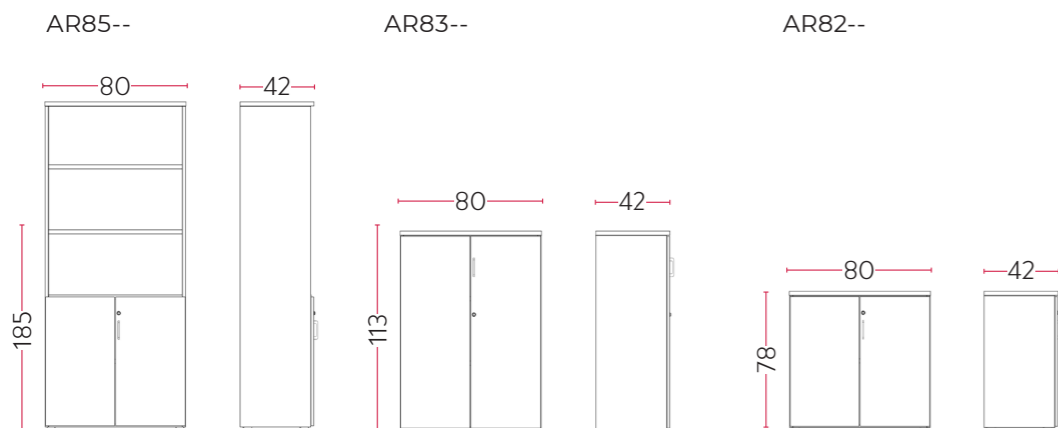
### FEET

METAL



Silver

## Measures



# Mobile pedestal

by Actiu





## ■ Description

MOBILE PEDESTAL

Pedestal 3 drawers 55x41, all MFC finish, 3 drawers with lock and handle and pencil tray and divider

## ■ Finishes

Finishes and colours may vary for the final product.

### Structure

MFC



## ■ Measures



# 21. MOBILE PEDESTALS

J632--



## ■ Description

MOBILE PEDESTAL

Pedestal 3 drawers 55x41, all steel finish, 3 drawers with lock and pencil tray and divider. Anti tilt mechanism

## ■ Finishes

Finishes and colours may vary for the final product.

### Structure

METAL



## ■ Measures



# Sliding doors storage

by Actiu





# 22. SLIDING DOORS STORAGE

AC1-- + PAC1-- + ACL12-- + ACL12-- + CACJ12--



## Description

**SLIDING DOOR STORAGE**  
 All MFC storage with levelers and sliding doors with lock and handles. Different measures and optional gardener

## Finishes

Finishes and colours may vary for the final product.

### Panels

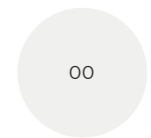
MFC



Chestnut

### Gardener

MFC



White

### Door

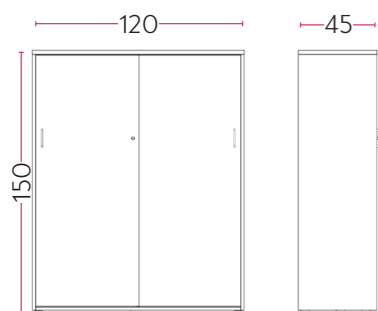
MFC



Chestnut

## Measures

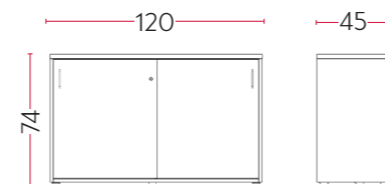
AC14-- + PAC14-- + ACL12--



AC13-- + PAC13-- + ACL12-- + CACJ12--



AC12-- + PAC12-- + ACL12--



# Class 20 library

by Actiu



# 24. Class 20 library

LC21-- + L21-- + L60-- + L61-- + L67-- + L70-- + LAV2--



## ■ Description

CLASS 20

Class 20 library modules close back panel 121x93x35, with trim, optional drawers or shelves. Steel structure with MFC side panels.

## ■ Finishes

Finishes and colours may vary for the final product.

### Panels

MFC



Lime oak

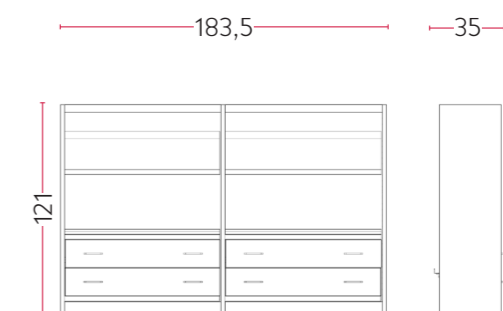
### Shell / Plinth

METAL

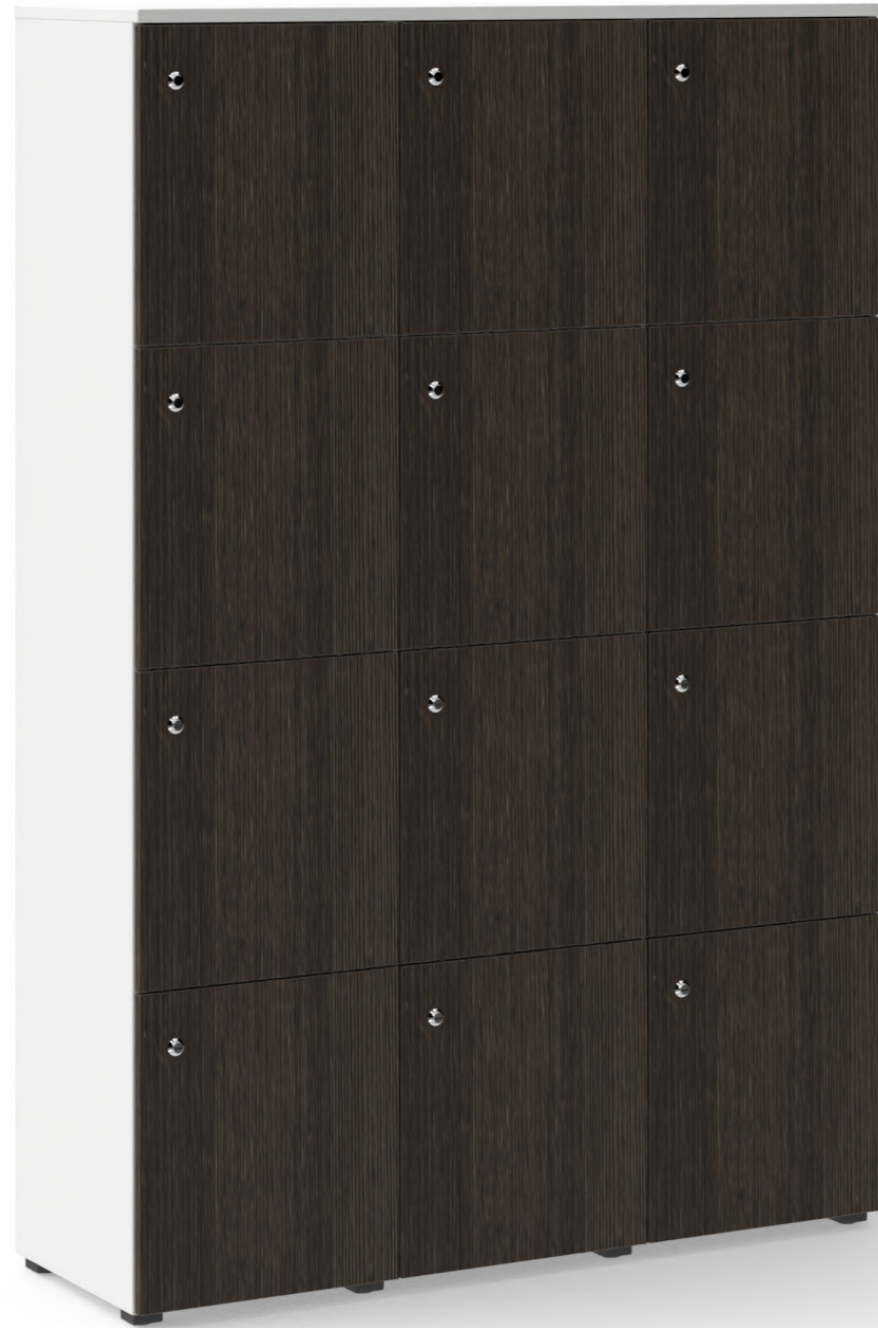


White

## ■ Measures







## ■ Description

LOCKERS

Locker module different measures, levellers doors with hinges, lock All MFC finish.

## ■ Finishes

Finishes and colours may vary for the final product.

### Structure

MFC

1 Color

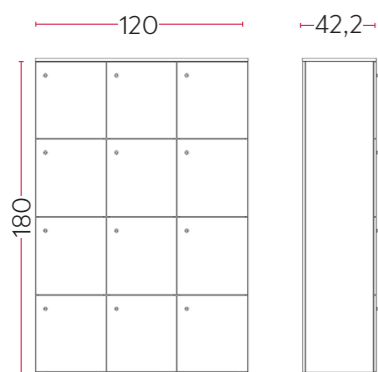


2 Colors



## ■ Measures

TQ43-- / TQ043--



TQ42-- / TQ042--

